

## REF33xx 3.9- $\mu$ A, SC70-3, SOT-23-3, and UQFN-8, 30-ppm/ $^{\circ}$ C Drift Voltage Reference

### 1 Features

- Microsize Packages: SC70-3, SOT-23-3, UQFN-8
- Low Supply Current: 3.9  $\mu$ A (typ)
- Extremely Low Dropout Voltage: 110 mV (typ)
- High Output Current:  $\pm$ 5 mA
- Low Temperature Drift: 30 ppm/ $^{\circ}$ C (max)
- High Initial Accuracy:  $\pm$ 0.15% (max)
- 0.1-Hz to 10-Hz Noise: 35  $\mu$ V<sub>PP</sub> (REF3312)
- Voltage Options: 1.2 V, 1.8 V, 2.5 V, 3 V, 3.3 V

### 2 Applications

- Portable Equipment
- Tablets and Smartphones
- Hard Disk Drives
- Sensor Modules
- Data Acquisition Systems
- Medical Equipment
- Test Equipment

### 3 Description

The REF33xx is a low-power, precision, low-dropout voltage reference family available in tiny SC70-3 and SOT-23-3 packages, and in a 1.5-mm  $\times$  1.5-mm UQFN-8 package. Small size and low power consumption (5- $\mu$ A max) make the REF33xx ideal for a wide variety of portable and battery-powered applications.

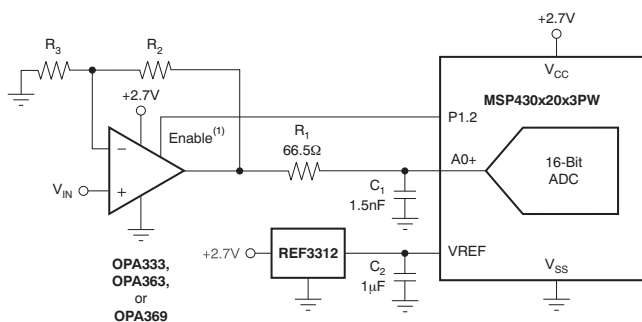
The REF33xx can be operated at a supply voltage 180 mV above the specified output voltage under normal load conditions, with the exception of the REF3312, which has a minimum supply voltage of 1.7 V. All models are specified for the wide temperature range of  $-40^{\circ}$ C to  $+125^{\circ}$ C.

#### Device Information<sup>(1)</sup>

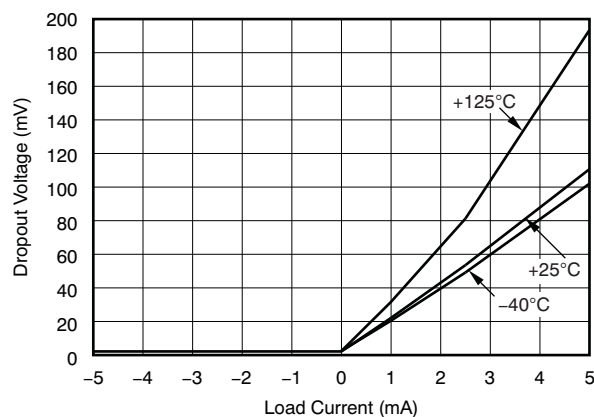
PART NUMBER	PACKAGE	BODY SIZE (NOM)
REF33xx	SOT-23 (3)	2.92 mm $\times$ 1.30 mm
	SC70 (3)	2.00 mm $\times$ 1.25 mm
	UQFN (8)	1.50 mm $\times$ 1.50 mm

(1) For all available packages, see the package option addendum at the end of the datasheet.

#### REF3312 in a Single-Supply Signal Chain



#### Dropout Voltage vs Load Current



## Table of Contents

<b>1</b>	<b>Features</b> .....	<b>1</b>	9.3	Feature Description.....	<b>11</b>
<b>2</b>	<b>Applications</b> .....	<b>1</b>	9.4	Device Functional Modes.....	<b>12</b>
<b>3</b>	<b>Description</b> .....	<b>1</b>	<b>10</b>	<b>Applications and Implementation</b> .....	<b>13</b>
<b>4</b>	<b>Revision History</b> .....	<b>2</b>	10.1	Application Information.....	<b>13</b>
<b>5</b>	<b>Device Comparison</b> .....	<b>4</b>	10.2	Typical Applications .....	<b>13</b>
<b>6</b>	<b>Pin Configuration and Functions</b> .....	<b>4</b>	<b>11</b>	<b>Power-Supply Recommendations</b> .....	<b>18</b>
<b>7</b>	<b>Specifications</b> .....	<b>5</b>	<b>12</b>	<b>Layout</b> .....	<b>19</b>
	7.1 Absolute Maximum Ratings .....	<b>5</b>	12.1	Layout Guidelines .....	<b>19</b>
	7.2 ESD Ratings.....	<b>5</b>	12.2	Layout Example .....	<b>19</b>
	7.3 Recommended Operating Conditions.....	<b>5</b>	<b>13</b>	<b>Device and Documentation Support</b> .....	<b>20</b>
	7.4 Thermal Information .....	<b>5</b>	13.1	Documentation Support .....	<b>20</b>
	7.5 Electrical Characteristics.....	<b>6</b>	13.2	Related Links .....	<b>20</b>
	7.6 Typical Characteristics.....	<b>8</b>	13.3	Receiving Notification of Documentation Updates	<b>20</b>
<b>8</b>	<b>Parameter Measurement Information</b> .....	<b>10</b>	13.4	Community Resources.....	<b>20</b>
	8.1 Thermal Hysteresis .....	<b>10</b>	13.5	Trademarks .....	<b>20</b>
<b>9</b>	<b>Detailed Description</b> .....	<b>11</b>	13.6	Electrostatic Discharge Caution.....	<b>20</b>
	9.1 Overview .....	<b>11</b>	13.7	Glossary .....	<b>20</b>
	9.2 Functional Block Diagram .....	<b>11</b>	<b>14</b>	<b>Mechanical, Packaging, and Orderable Information</b> .....	<b>21</b>

## 4 Revision History

NOTE: Page numbers for previous revisions may differ from page numbers in the current version.

<b>Changes from Revision G (December 2016) to Revision H</b>	<b>Page</b>
• Changed maximum operating current value in <i>Recommended Operating Conditions</i> section.....	<b>5</b>
• Changed table title to REF33xx (REF3312, REF3320, REF3325, REF3330, REF3333, REF3340) .....	<b>6</b>

---

<b>Changes from Revision F (November 2016) to Revision G</b>	<b>Page</b>
• Added <i>Long-term stability</i> parameter and associated footnote to REF33xx section of <i>Electrical Characteristics</i> table .....	<b>6</b>

---

<b>Changes from Revision E (October 2014) to Revision F</b>	<b>Page</b>
• Changed minimum supply voltage value in second paragraph of <i>Description</i> section .....	<b>1</b>
• Changed <i>Device Information</i> table .....	<b>1</b>
• Changed <i>ESD Ratings</i> table: changed title and format, moved $T_{stg}$ parameter to <i>Absolute Maximum Ratings</i> table .....	<b>5</b>
• Changed supply voltage value in footnote of <i>Recommended Operating Conditions</i> table .....	<b>5</b>
• Changed supply voltage value in footnote 1 of <i>Electrical Characteristics</i> table .....	<b>6</b>
• Changed minimum supply voltage value in <i>Device Functional Modes</i> section .....	<b>12</b>
• Changed minimum supply voltage value in <i>Power-Supply Recommendations</i> section .....	<b>18</b>

---

<b>Changes from Revision D (June 2014) to Revision E</b>	<b>Page</b>
• Added REF3325 UQFN package to data sheet .....	<b>1</b>
• Added note to <i>Applications and Implementation</i> section.....	<b>13</b>

**Changes from Revision C (March 2014) to Revision D** **Page**


---

- Added note to Recommended Operating Conditions ..... 5
  - Moved *Thermal Hysteresis* section to *Parameter Measurement Information* section ..... 10
  - Changed *Applications and Implementation* section to latest standard; added new sections ..... 13
- 

**Changes from Revision B (February 2014) to Revision C** **Page**


---

- Changed Recommended Operating Conditions supply input voltage range maximum value from 55 to 5.5 ..... 5
- 

**Changes from Revision A (September 2007) to Revision B** **Page**


---

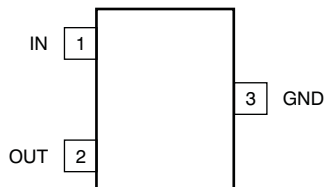
- Changed document format to meet latest data sheet standards; added new sections and moved existing sections ..... 1
  - Moved package figures from front page to *Pin Configuration and Functions* ..... 1
  - Added new figures to front page ..... 1
  - Deleted Ordering Information table; see Package Option Addendum for most current ordering information ..... 4
  - Added RSE pin configuration ..... 4
  - Added Thermal Information table ..... 5
  - Deleted Thermal Resistance parameter in Electrical Characteristics; see new Thermal Information table ..... 7
-

## 5 Device Comparison

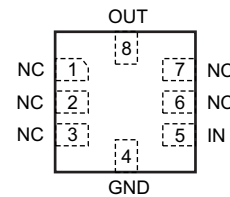
PRODUCT	DESCRIPTION
REF3312	1.25 V
REF3318	1.8 V
REF3320	2.048 V
REF3325	2.5 V
REF3330	3.0 V
REF3333	3.3 V

## 6 Pin Configuration and Functions

REF3312, REF3318, REF3320, REF3325, REF3330, REF3333  
 DBZ Package and DCK Package  
 SOT-23-3, SC70-3  
 (Top View)



REF3312, REF3318, REF3320, REF3325, REF3330, REF3333  
 RSE Package  
 UQFN-8  
 (Top View)



**Table 1. Pin Functions**

NAME	PIN		DESCRIPTION
	DBZ, DCK	RSE	
GND	3	4	Ground
IN	1	5	Input supply voltage
NC	—	1, 2, 3, 6, 7	Not connected
OUT	2	8	Output voltage

## 7 Specifications

### 7.1 Absolute Maximum Ratings

over operating free-air temperature range (unless otherwise noted).<sup>(1)</sup>

		MIN	MAX	UNIT
Voltage	Input voltage		7.5	V
	Output voltage		5	
Current	Output short-circuit, $I_{SC}$ <sup>(2)</sup>		180	mA
Temperature	Operating	-50	150	°C
	Junction, $T_J$		150	
	Storage, $T_{stg}$	-65	150	

- (1) Stresses beyond those listed under *Absolute Maximum Ratings* may cause permanent damage to the device. These are stress ratings only, which do not imply functional operation of the device at these or any other conditions beyond those indicated under *Recommended Operating Conditions*. Exposure to absolute-maximum-rated conditions for extended periods may affect device reliability.
- (2) See the [Power-Supply Recommendations](#) section of this data sheet.

### 7.2 ESD Ratings

		VALUE	UNIT
$V_{(ESD)}$ Electrostatic discharge	Human body model (HBM), per ANSI/ESDA/JEDEC JS-001 <sup>(1)</sup>	±4000	V
	Charged device model (CDM), per JEDEC specification JESD22-C101 <sup>(2)</sup>	±1000	
	Machine model (MM)	±200	

- (1) JEDEC document JEP155 states that 500-V HBM allows safe manufacturing with a standard ESD control process.
- (2) JEDEC document JEP157 states that 250-V CDM allows safe manufacturing with a standard ESD control process.

### 7.3 Recommended Operating Conditions

over operating free-air temperature range (unless otherwise noted).

		MIN	NOM	MAX	UNIT
$V_{IN}$	Supply input voltage <sup>(1)</sup>	$V_{OUT} + 0.2$		5.5	V
$I_{OUT}$	Output current range	-5		5	mA

- (1) The minimum supply voltage for the REF3312 is 1.7 V.

### 7.4 Thermal Information

THERMAL METRIC <sup>(1)</sup>		REF33xx		REF3325, REF3330	UNIT
		DCK (SC70)	DBZ (SOT-23)	RSE (UQFN)	
		3 PINS	3 PINS	8 PINS	
$R_{\theta JA}$	Junction-to-ambient thermal resistance	279.7	313.1	61.2	°C/W
$R_{\theta JC(top)}$	Junction-to-case (top) thermal resistance	136.3	144.0	32.6	°C/W
$R_{\theta JB}$	Junction-to-board thermal resistance	56.9	109.3	16.0	°C/W
$\Psi_{JT}$	Junction-to-top characterization parameter	11.0	18.2	1.3	°C/W
$\Psi_{JB}$	Junction-to-board characterization parameter	56.1	107.9	16.0	°C/W
$R_{\theta JC(bot)}$	Junction-to-case (bottom) thermal resistance	N/A	N/A	N/A	°C/W

- (1) For more information about traditional and new thermal metrics, see the [Semiconductor and IC Package Thermal Metrics](#) application report.

## 7.5 Electrical Characteristics

 At  $T_A = 25^\circ\text{C}$ ,  $V_{IN} = 5\text{ V}$ , and  $I_{LOAD} = 0\text{ mA}$  (unless otherwise noted).

PARAMETER		TEST CONDITIONS	MIN	TYP	MAX	UNIT
<b>REF3312 (1.25 V)</b>						
$V_{OUT}$	Output voltage			1.25		V
	Initial accuracy		-0.15%		0.15%	
	Output voltage noise	$f = 0.1\text{ Hz to }10\text{ Hz}$		35		$\mu\text{V}_{PP}$
<b>REF3318 (1.8 V)</b>						
$V_{OUT}$	Output voltage			1.8		V
	Initial accuracy		-0.15%		0.15%	
	Output voltage noise	$f = 0.1\text{ Hz to }10\text{ Hz}$		50		$\mu\text{V}_{PP}$
<b>REF3320 (2.048 V)</b>						
$V_{OUT}$	Output voltage			2.048		V
	Initial accuracy		-0.15%		0.15%	
	Output voltage noise	$f = 0.1\text{ Hz to }10\text{ Hz}$		55		$\mu\text{V}_{PP}$
<b>REF3325 (2.5 V)</b>						
$V_{OUT}$	Output voltage			2.5		V
	Initial accuracy		-0.15%		0.15%	
	Output voltage noise	$f = 0.1\text{ Hz to }10\text{ Hz}$		70		$\mu\text{V}_{PP}$
<b>REF3330 (3.0 V)</b>						
$V_{OUT}$	Output voltage			3.0		V
	Initial accuracy		-0.15%		0.15%	
	Output voltage noise	$f = 0.1\text{ Hz to }10\text{ Hz}$		84		$\mu\text{V}_{PP}$
<b>REF3333 (3.3 V)</b>						
$V_{OUT}$	Output voltage			3.3		V
	Initial accuracy		-0.15%		0.15%	
	Output voltage noise	$f = 0.1\text{ Hz to }10\text{ Hz}$		92		$\mu\text{V}_{PP}$
<b>REF33xx (REF3312, REF3320, REF3325, REF3330, REF3333, REF3340)</b>						
$dV_{OUT}/dT$	Output voltage temperature drift	$-40^\circ\text{C to }85^\circ\text{C}$		9	30	ppm/ $^\circ\text{C}$
		$-40^\circ\text{C to }125^\circ\text{C}$		8	30	
$\Delta V_{O(\Delta V)}$	Line regulation	$V_{IN} = V_{OUT} + 200\text{ mV to }5.5\text{ V}^{(1)}$	-50	6	50	ppm/V
		$0^\circ\text{C to }+70^\circ\text{C}$		6		
		$-40^\circ\text{C to }85^\circ\text{C}$		8		
		$-40^\circ\text{C to }125^\circ\text{C}$		30		
$\Delta V_{O(\Delta I)}$	Load regulation	$V_{IN} = V_{OUT} + 200\text{ mV}^{(1)}$	-50	6	50	ppm/mA
		$I_{LOAD} = \pm 5\text{ mA}, 0^\circ\text{C to }70^\circ\text{C}$		10		
		$-40^\circ\text{C to }85^\circ\text{C}$		20		
		$-40^\circ\text{C to }125^\circ\text{C}$		20		
	Long-term stability <sup>(2)</sup>	0h to 1000h at $25^\circ\text{C}$		55		ppm
$dT$	Thermal hysteresis <sup>(3)</sup>			90		ppm
$V_{IN} - V_{OUT}$	Minimum dropout voltage <sup>(1)</sup>	$I_{LOAD} = \pm 5\text{ mA}$		110	160	mV
		$0^\circ\text{C to }70^\circ\text{C}$		120		
		$-40^\circ\text{C to }85^\circ\text{C}$		135		
		$-40^\circ\text{C to }125^\circ\text{C}$		180		
		$I_{LOAD} = \pm 2\text{ mA}, -40^\circ\text{C to }85^\circ\text{C}$			70	
$I_{SC}$	Short-circuit current	Sourcing and sinking		35		mA
	Capacitive load		0.1		10	$\mu\text{F}$
	Turn-on settling time	To 0.1% with $C_L = 1\ \mu\text{F}$		2		ms

(1) The minimum supply voltage for the REF3312 is 1.7 V.

(2) The long-term stability number reduces as the time increases.

 (3) The thermal hysteresis procedure is explained in more detail in the [Thermal Hysteresis](#) section.

**Electrical Characteristics (continued)**

 At  $T_A = 25^\circ\text{C}$ ,  $V_{IN} = 5\text{ V}$ , and  $I_{LOAD} = 0\text{ mA}$  (unless otherwise noted).

PARAMETER		TEST CONDITIONS	MIN	TYP	MAX	UNIT
<b>POWER SUPPLY</b>						
$V_S$	Specified voltage range		$V_{OUT} + 0.2^{(1)}$		5.5	V
	Operating voltage range	$I_{LOAD} = 0\text{ mA}$		$V_{OUT} + 0.005$	5.5	V
$I_Q$	Current			3.9	5	$\mu\text{A}$
		$-40^\circ\text{C}$ to $85^\circ\text{C}$		4.4	6.5	
		$-40^\circ\text{C}$ to $125^\circ\text{C}$		4.8	8.5	
<b>TEMPERATURE</b>						
$T_A$	Specified range		$-40$		125	$^\circ\text{C}$
	Operating range		$-50$		150	

## 7.6 Typical Characteristics

At  $T_A = 25^\circ\text{C}$  and  $V_{IN} = 5\text{ V}$ , and REF3325 used for typical characteristic measurements (unless otherwise noted).

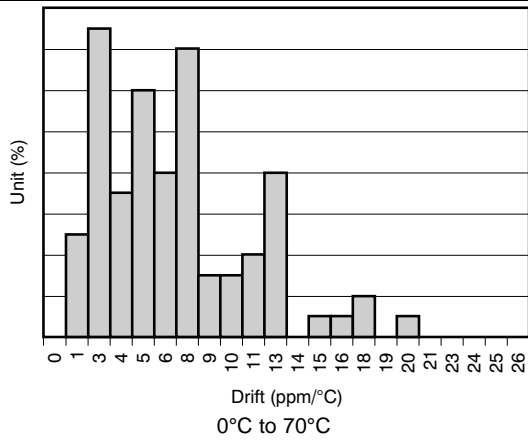


Figure 1. Temperature Drift

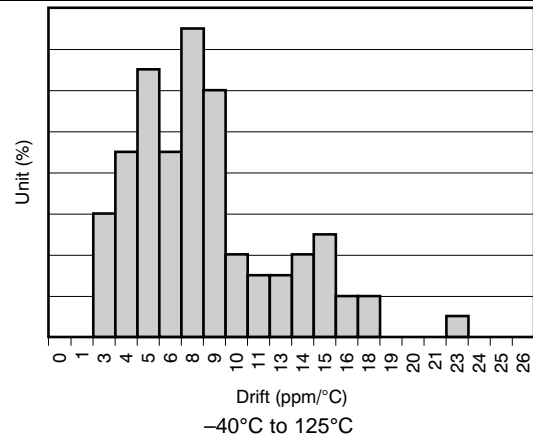


Figure 2. Temperature Drift

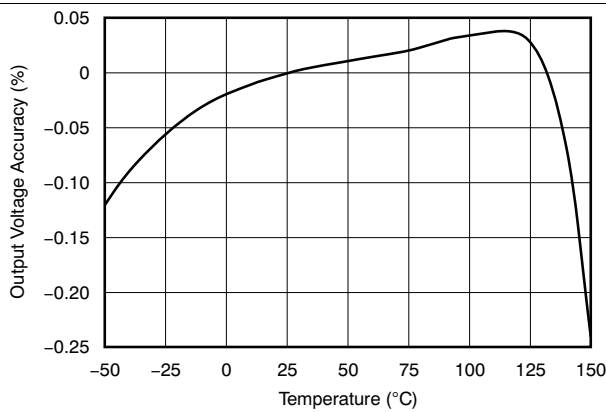


Figure 3. Output Voltage Accuracy vs Temperature

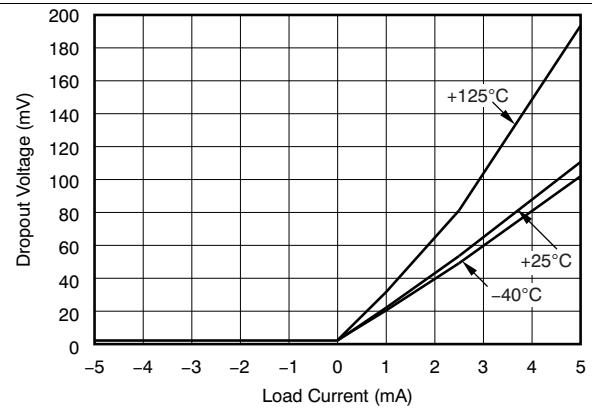


Figure 4. Dropout Voltage vs Load Current

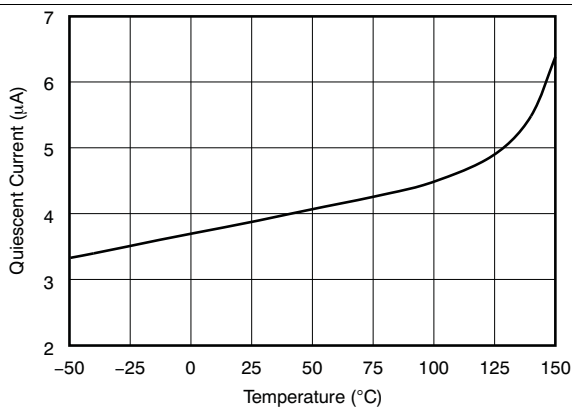


Figure 5. Quiescent Current vs Temperature

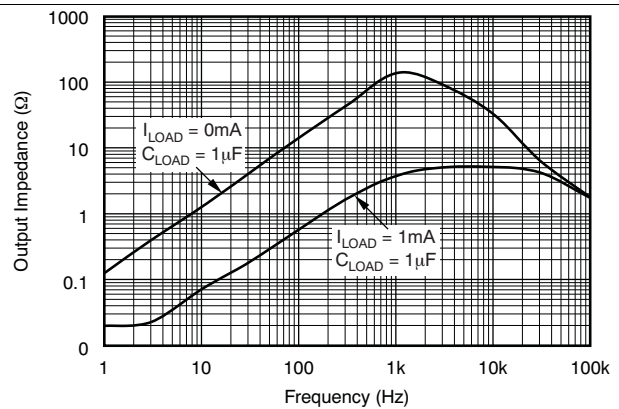


Figure 6. Output Impedance vs Frequency



Typical Characteristics (continued)

At  $T_A = 25^\circ\text{C}$  and  $V_{IN} = 5\text{ V}$ , and REF3325 used for typical characteristic measurements (unless otherwise noted).

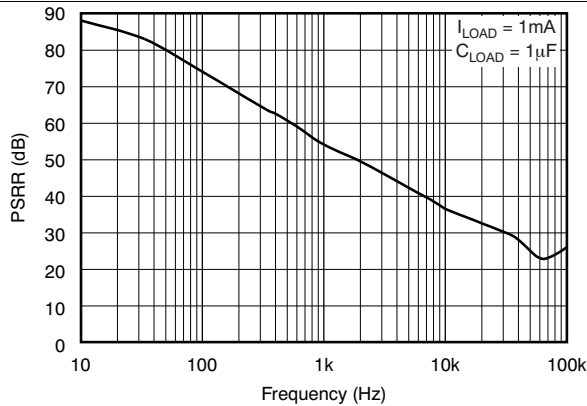


Figure 7. Power-Supply Rejection Ratio vs Frequency

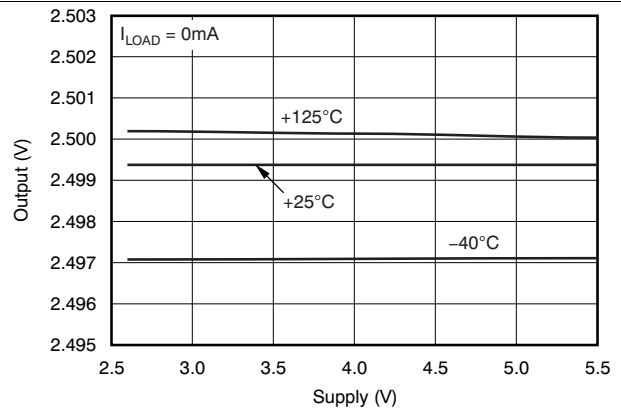


Figure 8. Output vs Supply

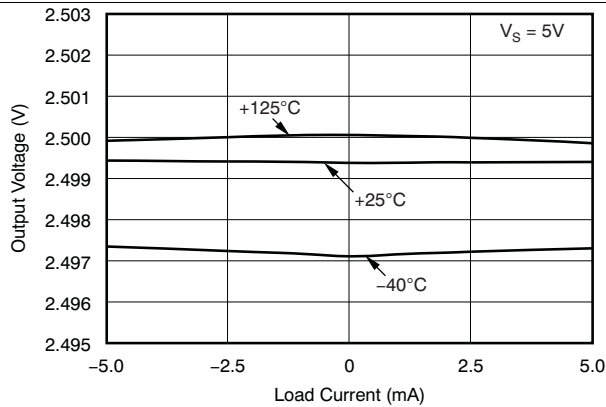


Figure 9. Output Voltage vs Load Current

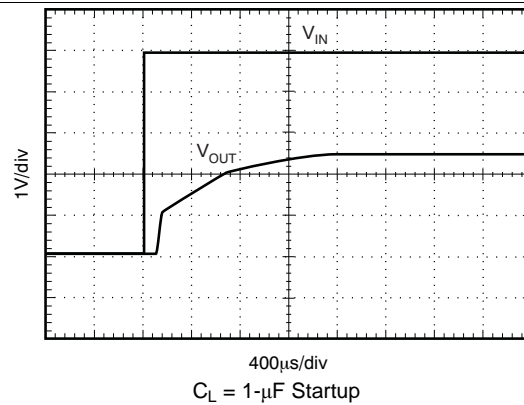


Figure 10. Step Response

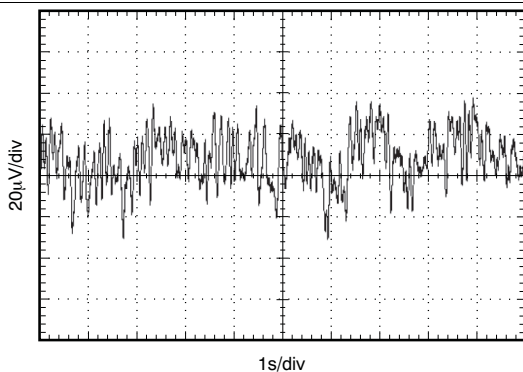


Figure 11. 0.1-Hz to 10-Hz Noise

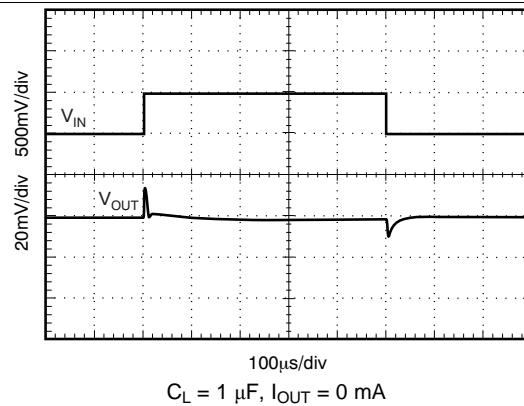
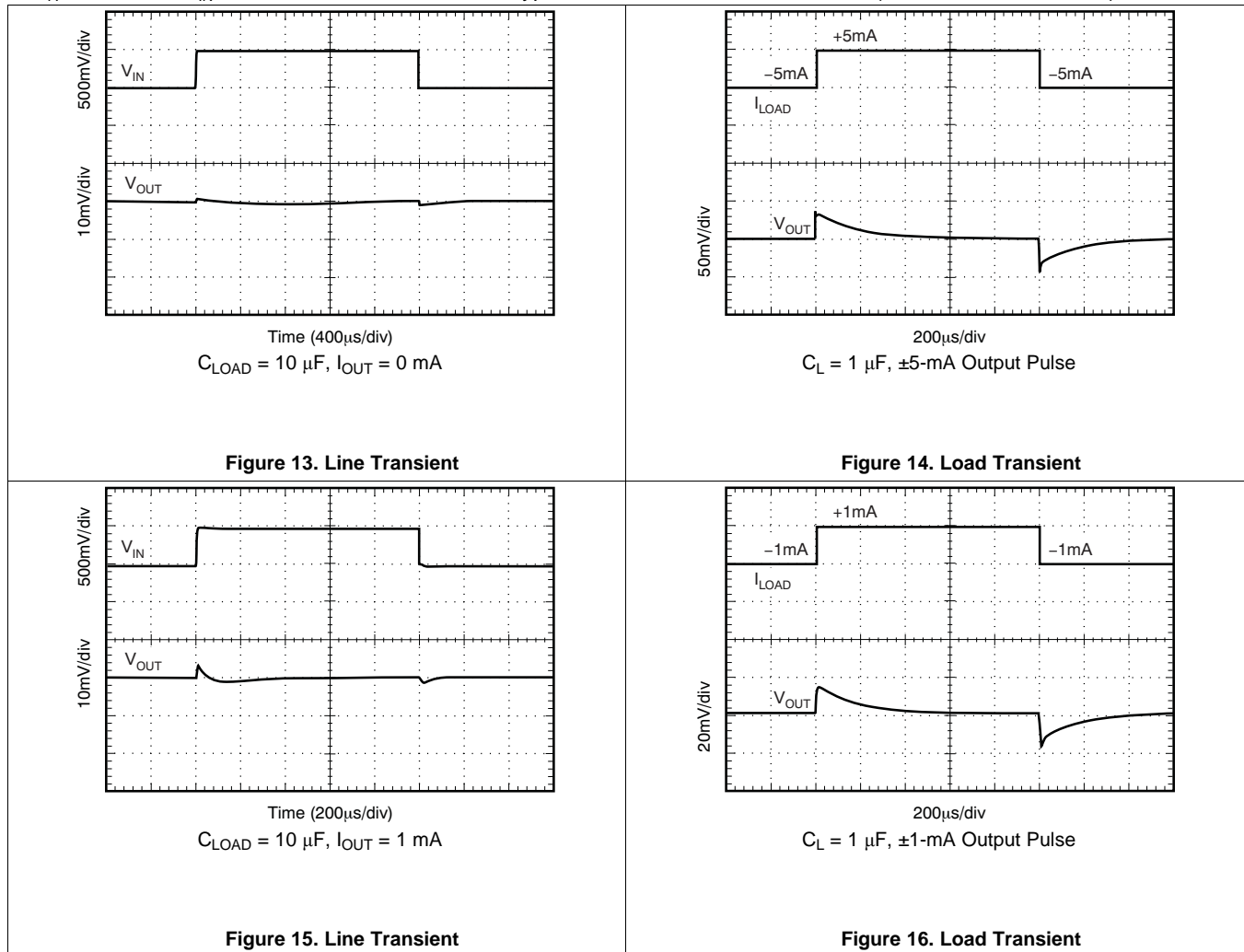


Figure 12. Line Transient

## Typical Characteristics (continued)

At  $T_A = 25^\circ\text{C}$  and  $V_{IN} = 5\text{ V}$ , and REF3325 used for typical characteristic measurements (unless otherwise noted).



## 8 Parameter Measurement Information

### 8.1 Thermal Hysteresis

Thermal hysteresis for the REF33xx is defined as the change in output voltage after operating the device at  $25^\circ\text{C}$ , cycling the device through the specified temperature range, and returning to  $25^\circ\text{C}$ . It can be expressed as Equation 1:

$$V_{HYST} = \left( \frac{|V_{PRE} - V_{POST}|}{V_{NOM}} \right) \cdot 10^6 \text{ (ppm)}$$

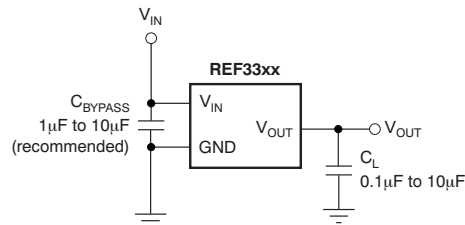
where

- $V_{HYST}$  = thermal hysteresis (in units of ppm).
  - $V_{NOM}$  = the specified output voltage.
  - $V_{PRE}$  = output voltage measured at  $25^\circ\text{C}$  pretemperature cycling.
  - $V_{POST}$  = output voltage measured after the device cycles from  $25^\circ\text{C}$  through the specified temperature range of  $-40^\circ\text{C}$  to  $125^\circ\text{C}$  and returns to  $25^\circ\text{C}$ .
- (1)

## 9 Detailed Description

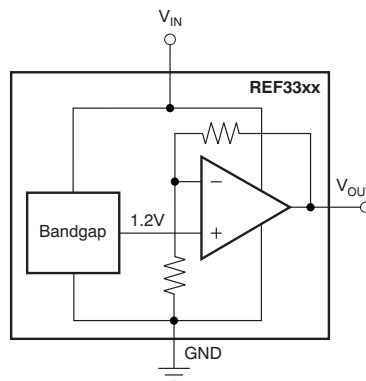
### 9.1 Overview

The REF33xx is a family of low-power, precision band-gap voltage references that are specifically designed for extremely low dropout, excellent initial voltage accuracy with a high output current. A simplified block diagram of the REF33xx is shown in the [Functional Block Diagram](#) section. [Figure 17](#) shows the typical connections for the REF33xx. A supply bypass capacitor ranging between 1  $\mu\text{F}$  to 10  $\mu\text{F}$  is recommended. The total capacitive load at the output must be between 0.1  $\mu\text{F}$  to 10  $\mu\text{F}$  to ensure output stability.



**Figure 17. Basic Connections**

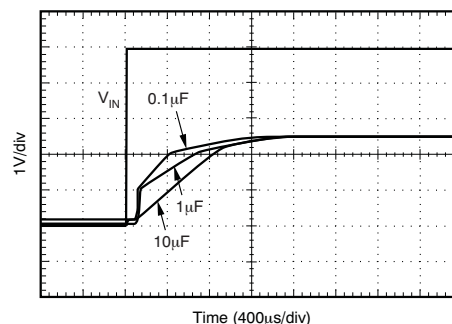
### 9.2 Functional Block Diagram



### 9.3 Feature Description

#### 9.3.1 Start-Up Time

The REF33xx features an advanced start-up circuit. Start-up time is almost independent of load (with a 0.1- $\mu\text{F}$  to 10- $\mu\text{F}$  load). Upon startup, the current boost circuit forces the output voltage. When the preset voltage is reached, the REF33xx switches to the second stage of output circuitry to precisely set the output voltage. [Figure 18](#) shows the start-up time of the REF3325 for three different capacitive loads. In all three cases, the output voltage settles within 2 ms.



**Figure 18. Start-Up Time**

## Feature Description (continued)

### 9.3.2 Low Temperature Drift

The REF33xx is designed for minimal drift error, defined as the change in output voltage over temperature. The drift is calculated using the box method, as described in [Equation 2](#):

$$\text{Drift} = \left( \frac{V_{\text{OUTMAX}} - V_{\text{OUTMIN}}}{V_{\text{OUT}} \cdot \text{Temperature Range}} \right) \cdot 10^6 \text{ (ppm)} \quad (2)$$

### 9.3.3 Power Dissipation

The REF33xx family is specified to deliver current loads of  $\pm 5$  mA over the specified input voltage range. The temperature of the device increases according to [Equation 3](#):

$$T_J = T_A + P_D \cdot R_{\theta JA}$$

where

- $T_J$  = junction temperature ( $^{\circ}\text{C}$ ).
- $T_A$  = ambient temperature ( $^{\circ}\text{C}$ ).
- $P_D$  = power dissipation (W) =  $V_{\text{IN}} \times I_Q + (V_{\text{IN}} - V_{\text{OUT}}) I_{\text{OUT}}$ .
- $R_{\theta JA}$  = Junction-to-ambient thermal resistance ( $^{\circ}\text{C}/\text{W}$ ). (3)

The REF33xx junction temperature must not exceed the absolute maximum rating of  $150^{\circ}\text{C}$ .

### 9.3.4 Noise Performance

Typical 0.1-Hz to 10-Hz voltage noise for each member of the REF33xx family is specified in the [Electrical Characteristics](#) table. The noise voltage increases with output voltage and operating temperature. Use additional filtering to improve output noise levels. Give special attention to ensure that the output impedance does not degrade output voltage accuracy.

## 9.4 Device Functional Modes

The REF33xx is powered on when the voltage on the IN pin is greater than  $V_{\text{OUT}} + 0.2$  V, except for the REF3312, where the minimum supply voltage is 1.7 V. The maximum input voltage for the REF33xx is 5.5 V. Use a supply bypass capacitor ranging between 1  $\mu\text{F}$  to 10  $\mu\text{F}$ . The total capacitive load at the output must be between 0.1  $\mu\text{F}$  to 10  $\mu\text{F}$  to ensure output stability.

## 10 Applications and Implementation

### NOTE

Information in the following applications and implementation sections is not part of the TI component specification, and TI does not warrant its accuracy or completeness. TI's customers are responsible for determining suitability of components for their purposes. Customers should validate and test their design implementation to confirm system functionality.

### 10.1 Application Information

The REF33xx is a family of low-power, precision band-gap voltage references that are specifically designed for extremely low dropout, excellent initial voltage accuracy with a high output current. The extremely small size of the SC70-3, SOT-23-3, and UQFN-8 make these references very attractive for space-constrained applications. The following section describes one common application.

### 10.2 Typical Applications

#### 10.2.1 REF3312 in a Bipolar Signal-Chain Configuration

The circuit in Figure 19 consists of a low-power reference and conditioning circuit. This circuit attenuates and level-shifts a bipolar input voltage within the proper input range of a single-supply, low-power, 16-bit  $\Delta\Sigma$  analog-to-digital converter (ADC), such as the one inside the MSP430 (or other similar single-supply ADCs). Precision reference circuits are used to level-shift the input signal, provide the ADC reference voltage, and create a well-regulated supply voltage for the low-power analog circuitry. A low-power, zero-drift op amp circuit is used to attenuate and level-shift the input signal.

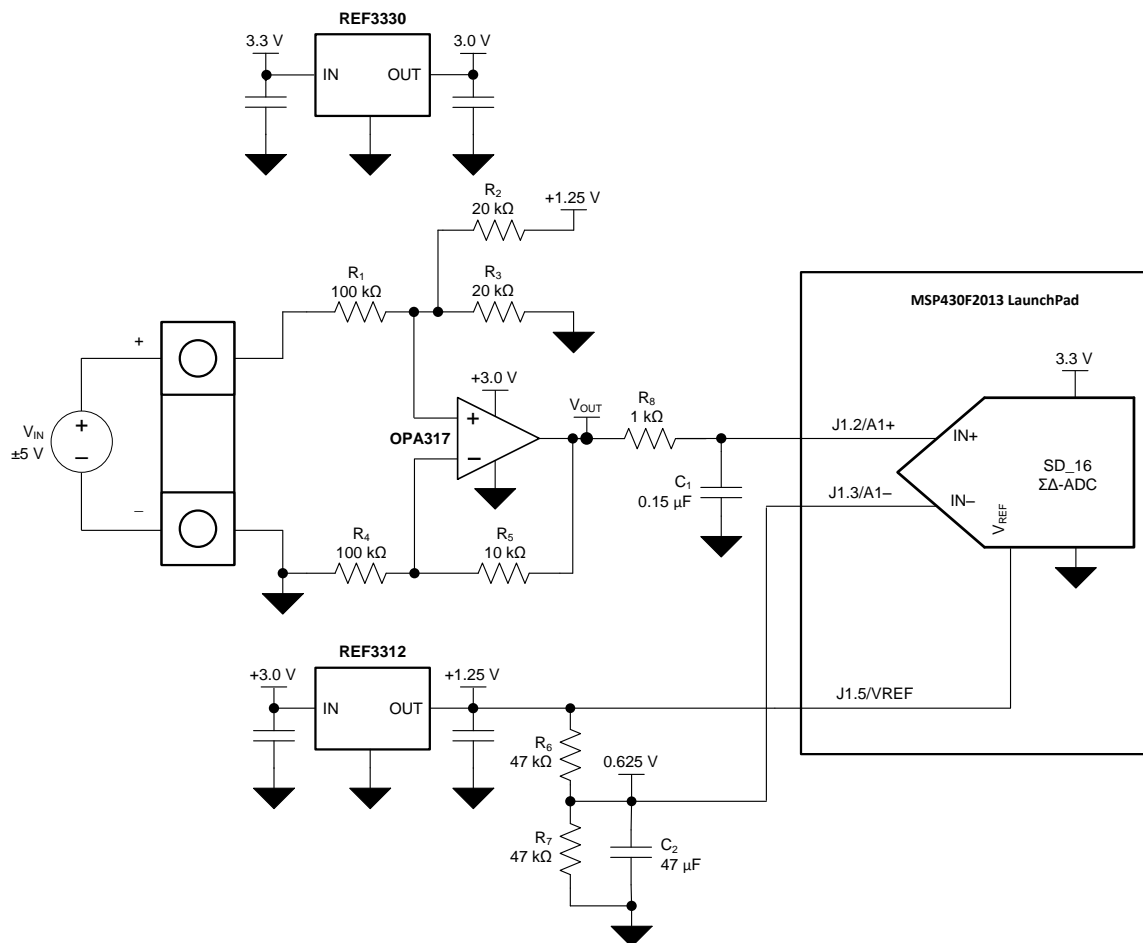


Figure 19. Bipolar Signal-Chain Configuration

## Typical Applications (continued)

### 10.2.1.1 Design Requirements

The design requirements are as follows:

- Supply voltage: 3.3 V
- Maximum input voltage:  $\pm 6$  V
- Specified input voltage:  $\pm 5$  V
- ADC reference voltage: 1.25 V

### 10.2.1.2 Detailed Design Procedure

Figure 19 depicts a simplified schematic for this design showing the MSP430 ADC inputs and full input conditioning circuitry. The ADC is configured for a bipolar measurement where final conversion result is the differential voltage,  $V_{DIFF}$ , between the positive and negative ADC inputs, A1+ and A1–. The bipolar, ground-referenced input signal must be level-shifted and attenuated by the op amp so that the output is biased to  $V_{REF} / 2$  and has a differential voltage that is within the  $\pm V_{REF} / 2$  input range of the ADC. The transfer function for the op-amp circuit simplifies to Equation 4.

$$A1+ = \left( \frac{R_3}{R_2 + R_3} \right) V_{REF} + \left( \frac{R_2 \parallel R_3}{R_1} \right) V_{IN}$$

where

- $R_1 = R_4$
  - $R_5 = R_2 \parallel R_3$
- (4)

The voltage applied to the negative ADC input, A1–, is based on the resistor divider formed by R6 and R7 and is set to  $V_{REF} / 2$  by setting R6 equal to R7, as shown in Equation 5.

$$A1- = \left( \frac{R_7}{R_6 + R_7} \right) V_{REF} = \frac{V_{REF}}{2}$$
(5)

#### 10.2.1.2.1 Op Amp Level-Shift Design

The ratio of  $R_2$ ,  $R_3$ , and the  $V_{REF}$  voltage determines the voltage on the output of the op amp when the differential input is 0 V. Select the components so that  $V_{OUT}$  is equal to the  $V_{REF} / 2$  voltage when  $V_{IN}$  is equal to 0 V, as shown in Equation 6.

$$A1+ = \frac{V_{REF}}{2} = \left( \frac{R_3}{R_2 + R_3} \right) V_{REF}$$

where

- $V_{IN} = 0$  V
  - $R_2 = R_3$
- (6)

Solve for the value of  $R_5$  by setting  $R_3$  equal to  $R_2$  in Equation 4, as shown in Equation 7:

$$R_5 = \left( \frac{R_2 \cdot R_2}{R_2 + R_2} \right) = \frac{R_2^2}{2 \cdot R_2} = \frac{R_2}{2}$$
(7)

#### 10.2.1.2.2 Differential Input Attenuator Design

$V_{DIFF}$  is the difference between the two inputs, as shown in Equation 8:

$$V_{DIFF} = (A1+) - (A1-) = \left( \frac{R_3}{R_2 + R_3} \right) V_{REF} + \left( \frac{R_2 \parallel R_3}{R_1} \right) V_{IN} - \frac{V_{REF}}{2}$$
(8)

## Typical Applications (continued)

When the ratio of  $R_3$  and  $R_2$  equals the ratio of  $R_7$  and  $R_6$ , Equation 8 simplifies to Equation 10.

That is, if:

$$\left(\frac{R_3}{R_2 + R_3}\right)V_{REF} = \left(\frac{R_7}{R_6 + R_7}\right)V_{REF} = \frac{1}{2}V_{REF} \quad (9)$$

Then:

$$V_{DIFF} = \left(\frac{R_2 \parallel R_3}{R_1}\right)V_{IN} \quad (10)$$

Determine the ratio of  $R_1$ ,  $R_2$ , and  $R_3$  by setting  $A1+$  equal to the maximum  $V_{DIFF}$  for a full-scale positive or negative input voltage,  $V_{IN\_MAX}$ , as shown in Equation 11:

$$A1+ = V_{DIFF\_MAX} = \left(\frac{R_2 \parallel R_3}{R_1}\right)V_{IN\_MAX} \quad (11)$$

$R_2$  equals  $R_3$ ; therefore, Equation 11 simplifies to  $R_2 / 2$ , resulting in Equation 12:

$$V_{DIFF\_MAX} = \left(\frac{R_2}{2 \cdot R_1}\right)V_{IN\_MAX} \quad (12)$$

### 10.2.1.2.3 Input Filtering

Both inputs feature first-order, low-pass, antialiasing filters that limit the bandwidth and noise of the input signals applied to the ADC. The  $A1+$  filter is formed by  $R_8$  and  $C_1$  and the equation for the  $-3$ -dB cutoff frequency is shown in Equation 13:

$$f_{-3dB\_A1+} = \frac{1}{2 \cdot \pi \cdot R_8 \cdot C_1} \quad (13)$$

The  $A1-$  input filter is formed by  $C_2$  and the parallel combination of the  $R_6$  and  $R_7$  resistors, as shown in Equation 14:

$$f_{-3dB\_A1-} = \frac{1}{2 \cdot \pi \cdot \left(\frac{R_6}{2}\right) \cdot C_2} \quad (14)$$

### 10.2.1.2.4 Component Selection

#### 10.2.1.2.4.1 Voltage References

The REF33xx series of precision low-power voltage references pair well with the low power consumption of the MSP430, while achieving the target accuracy goals. The 16-bit converter in the MSP430F2013 accepts an external reference voltage from 1 V to 1.5 V with a typical reference input of 1.25 V, as shown in Table 2.

**Table 2. SD16\_A, External Reference Input (MSP430F20x3)<sup>(1)</sup>**

PARAMETER	TEST CONDITIONS	MIN	TYP	MAX	UNIT
$V_{REF(I)}$ Input voltage range	VCC = 3 V, SD16REFON = 0	1	1.25	1.5	V
$I_{REF(I)}$ Input current	VCC = 3 V, SD16REFON = 0			50	nA

(1) Over recommended ranges of supply voltage and operating free-air temperature (unless otherwise noted).

The REF3312 provides the desired 1.25-V reference voltage for the MSP430 ADC. The accuracy of the REF3312 output, shown in the [Electrical Characteristics](#), directly affects the accuracy of the entire system and must be less than the desired unadjusted error goals. The REF3312 maximum  $\pm 0.15\%$  initial accuracy specification is equal to the unadjusted error design goal of 0.15%, indicating that most of the error budget in this design must be devoted to the reference accuracy.

The 3.3-V system supply voltage that powers the MSP430 can also supply other devices, and therefore may have regulation and noise issues. The REF3330 creates an accurate and stable 3.0 V output used by the op amp, REF3312, and other low-power analog circuitry. The REF33xx series has a drop-output voltage of  $V_{OUT} + 200$  mV; therefore, as long as the input supply remains above 3.2 V, the REF3330 produces a regulated 3.0 V output. The output current for the REF33xx series is specified at  $\pm 5$  mA, as shown in [Figure 9](#), and is sufficient for the REF3312 and a low-power op amp.

#### 10.2.1.2.4.2 Op Amp

The OPA317 op amp is used because of low offset voltage, low offset voltage drift, CMRR, and low power consumption. The dc specifications for the OPA317 can be seen in the [OPA317 data sheet, SBOS682](#), available for download from [www.ti.com](http://www.ti.com). The maximum offset of 100  $\mu$ V accounts for only 0.001% of the full-scale signal, and the low-drift reduces temperature drift effects. Therefore, as previously mentioned, most of the error in this design is from the reference accuracy and passive component tolerances.

#### 10.2.1.2.5 Input Attenuation and Level Shifting

For this design, the bipolar  $\pm 5$ -V input must be attenuated and level shifted so the differential voltage is within the input range of  $\pm V_{REF} / 2$ , or  $\pm 0.625$  V. The accuracy of the op amp output and ADC input may degrade near the supply rails and  $V_{REF}$  voltage, so the output is designed to produce a 0.125 V to 1.125 V output, or  $\pm 0.5$  V for a  $\pm 5$  V input. Scaling the output this way also increases the allowable input range to  $\pm 6$  V, and allows for some underscale and overscale voltage measurement and protection.

Use [Equation 12](#) to scale the  $\pm 5$ -V input to a  $\pm 0.5$ -V differential voltage, as shown in [Equation 15](#).

$$0.5 \text{ V} = \left( \frac{R_2}{2 \cdot 100 \text{ k}\Omega} \right) \cdot 5 \text{ V}$$

where

- $R_1 = R_4 = 100 \text{ k}\Omega$  (15)

$R_1$  and  $R_4$  dominate the input impedance for this design and are therefore selected to be 100 k $\Omega$ . Higher values can be selected to increase the input impedance at the expense of input noise.

With the value for  $R_2$  and  $R_3$  selected as 20 k $\Omega$ , the value for  $R_5$  is calculated, as shown in [Equation 16](#):

$$R_5 = \left( \frac{R_2}{2} \right) = 10 \text{ k}\Omega$$

where

- $R_2 = R_3 = 20 \text{ k}\Omega$  (16)

In order for  $A1-$  to equal to  $V_{REF} / 2$ ,  $R_6$  must equal  $R_7$ . Two 47-k $\Omega$  resistors are used in order to conserve power without creating an impedance too weak to drive the ADC input.

#### 10.2.1.2.6 Input Filtering

The MSP430 ADC is configured to run from the 1.1-MHz SMCLK with an oversampling rate (OSR) of 256, yielding a sample rate of roughly 4.3 kHz. The input filter cutoff frequency is set to 1 kHz in order to limit the input signal bandwidth, as shown in [Equation 17](#).  $R_8$  is 1 k $\Omega$  in order to provide isolation from the capacitive load of the low-pass filter, thereby reducing stability concerns.

$$f_{-3\text{dB}_{A1+}} = 1 \text{ kHz} = \frac{1}{2 \cdot \pi \cdot R_8 \cdot C_1}$$

where

- $C_1 = \frac{1}{2 \cdot \pi \cdot 1 \text{ k}\Omega \cdot 1 \text{ kHz}} = 159 \text{ nF}$  (17)

Reduce  $C_1$  to 150 nF so that it is a standard value.

The  $A1-$  input of the delta-sigma ( $\Delta\Sigma$ ) converter is not buffered, and therefore requires a large capacitor to supply the charge for the internal sampling capacitor. A 47- $\mu$ F capacitor is selected, resulting in the cutoff frequency illustrated in [Equation 18](#).



$$f_{-3dB\_A1-} = \frac{1}{2 \cdot \pi \cdot \left(\frac{R_6}{2}\right) \cdot C_2} = 0.144 \text{ Hz} \quad (18)$$

In applications that cannot tolerate such a low-frequency cutoff, and therefore a long start-up time, buffer the A1- input with another OPA317 to properly drive the ADC input with a lower-input capacitor.

### 10.2.1.2.7 Passive Component Tolerances and Materials

Resistors R<sub>1</sub>, R<sub>2</sub>, R<sub>3</sub>, R<sub>4</sub>, R<sub>5</sub>, R<sub>6</sub>, and R<sub>7</sub> directly affect the accuracy of the circuit. To meet the unadjusted accuracy goals of 0.2%, the resistors used are 0.1%. Select 0.1% resistors for the construction of the difference amplifier circuit to provide a common-mode rejection ratio (CMRR) of at least 60 dB.

### 10.2.1.3 Application Curves

#### 10.2.1.3.1 DC Performance

The measured dc performance and calculated error of the circuit is shown in Figure 20 and Figure 21, respectively. By applying a two-point gain and offset calibration over the specified ±5-V input range, the calibrated error is shown in Figure 22. The uncalibrated results show errors of 138 μV, or 0.0138%FSR. The calibrated results with a simple two-point calibration show errors under 5 μV, or 0.0005%FSR, in the specified input range of ±5 V.

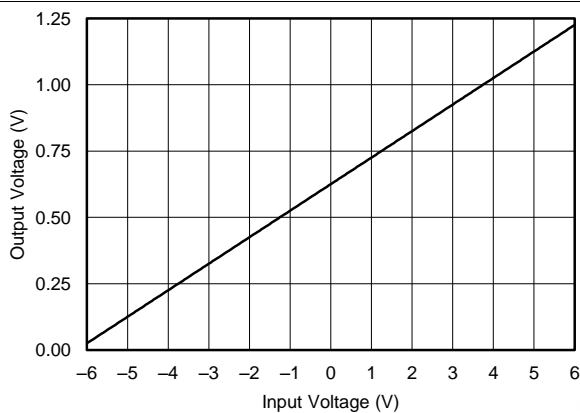


Figure 20. Measured DC Transfer Function with ±6-V Input

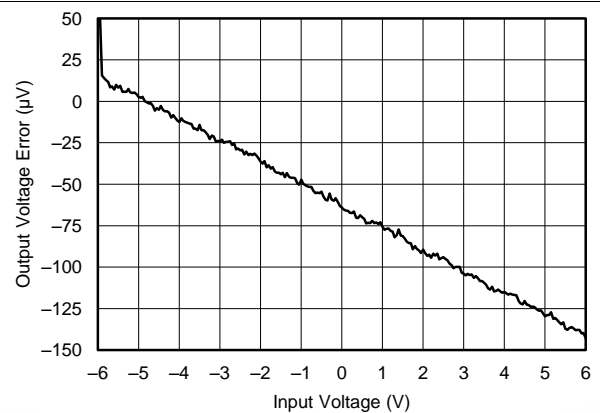


Figure 21. Measured Output Error with ±6-V Input

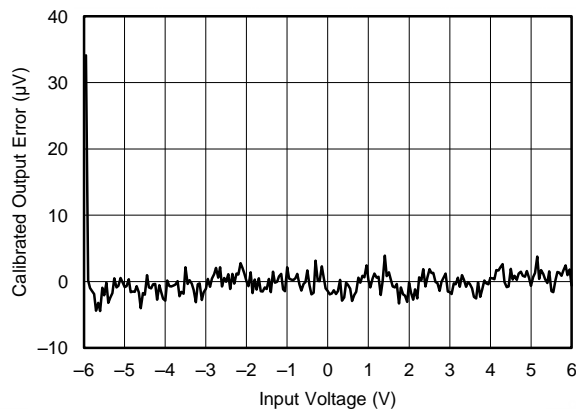
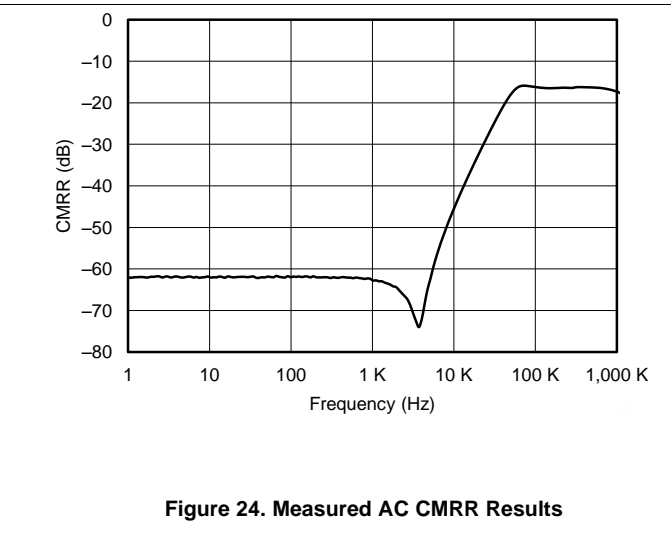
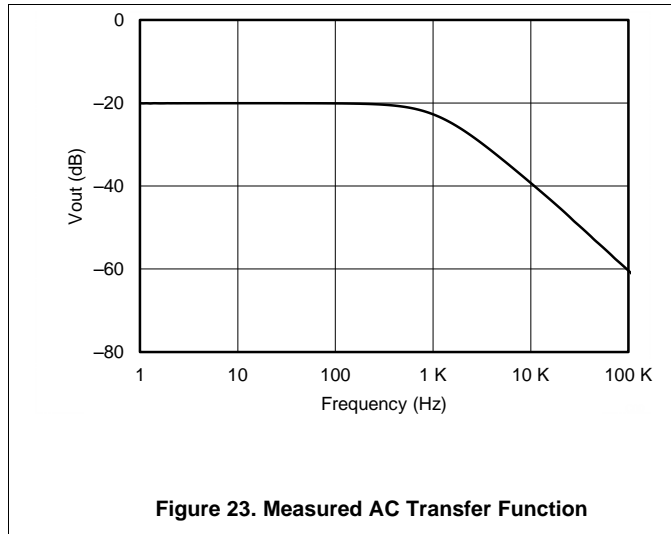


Figure 22. Calibrated Output Error with ±6-V Input

### 10.2.1.3.2 AC Performance

The ac transfer function for the attenuation and level-shifting circuit is shown in [Figure 23](#).

The low-frequency ac CMRR performance is measured to be 62 dB, as shown in [Figure 24](#).



## 11 Power-Supply Recommendations

The REF33xx family of voltage references features extremely low dropout voltage, except for the REF3312. The REF3312 has a minimum supply requirement of 1.7 V. These references can be operated with a supply 110 mV above the output voltage with a 5-mA load (typical). For loaded conditions, a typical dropout voltage versus load graph is illustrated in [Figure 4](#) of the *Typical Characteristics*.

If the supply voltage connected to the IN pin is rapidly moved when the REF33xx is connected to a capacitive load, a reverse voltage can discharge through the OUT pin and into the REF33xx. This voltage does not damage the REF33xx, provided that the voltage is less than or equal to 5 V.

## 12 Layout

### 12.1 Layout Guidelines

For optimal performance of this design, follow standard printed circuit board (PCB) layout guidelines, including proper decoupling close to all integrated circuits and adequate power and ground connections with large copper pours. Select a PCB size with connectors that connect directly to the MSP430 LaunchPad™.

Figure 25 shows an example of a PCB layout for a data acquisition system using the REF33xx.

Some key considerations are:

- Connect a low-ESR, 1- $\mu$ F ceramic capacitor at the IN pin for bypass, and a 0.1- $\mu$ F to 10- $\mu$ F ceramic capacitor at the OUT pin for stability of the REF33xx.
- Decouple other active devices in the system per the device specifications.
- Use a solid ground plane helps distribute heat and reduces EMI noise pickup.
- Place the external components as close to the device as possible. This configuration prevents parasitic errors (such as the Seebeck effect) from occurring.
- Minimize trace length between the reference and bias connections to the ADC to reduce noise pickup.
- Do not run sensitive analog traces in parallel with digital traces. Avoid crossing digital and analog traces if possible, and only make perpendicular crossings when absolutely necessary.

### 12.2 Layout Example

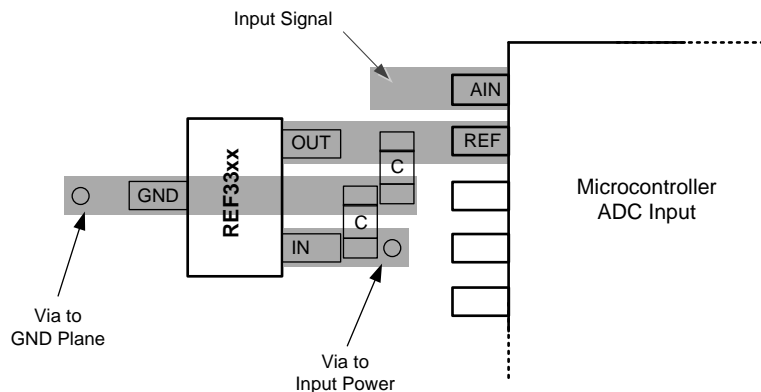


Figure 25. Layout Example

## 13 Device and Documentation Support

### 13.1 Documentation Support

#### 13.1.1 Related Documentation

[OPAx333 1.8-V, microPower, CMOS Operational Amplifiers, Zero-Drift Series](#) (SBOS351)

[OPAx363, OPAx364 1.8-V, 7-MHz, 90-dB CMRR, Single-Supply, Rail-to-Rail I/O Operational Amplifier](#) (SBOS259)

[OPAx369 1.8V, 700nA, Zero-Crossover Rail-to-Rail I/O Operational Amplifier](#) (SBOS414)

[INA159 Precision, Gain of 0.2 Level Translation Difference Amplifier](#) (SBOS333)

#### 13.2 Related Links

The table below lists quick access links. Categories include technical documents, support and community resources, tools and software, and quick access to sample or buy.

**Table 3. Related Links**

PARTS	PRODUCT FOLDER	SAMPLE & BUY	TECHNICAL DOCUMENTS	TOOLS & SOFTWARE	SUPPORT & COMMUNITY
REF3312	<a href="#">Click here</a>	<a href="#">Click here</a>	<a href="#">Click here</a>	<a href="#">Click here</a>	<a href="#">Click here</a>
REF3318	<a href="#">Click here</a>	<a href="#">Click here</a>	<a href="#">Click here</a>	<a href="#">Click here</a>	<a href="#">Click here</a>
REF3320	<a href="#">Click here</a>	<a href="#">Click here</a>	<a href="#">Click here</a>	<a href="#">Click here</a>	<a href="#">Click here</a>
REF3325	<a href="#">Click here</a>	<a href="#">Click here</a>	<a href="#">Click here</a>	<a href="#">Click here</a>	<a href="#">Click here</a>
REF3330	<a href="#">Click here</a>	<a href="#">Click here</a>	<a href="#">Click here</a>	<a href="#">Click here</a>	<a href="#">Click here</a>
REF3333	<a href="#">Click here</a>	<a href="#">Click here</a>	<a href="#">Click here</a>	<a href="#">Click here</a>	<a href="#">Click here</a>

#### 13.3 Receiving Notification of Documentation Updates

To receive notification of documentation updates, navigate to the device product folder on ti.com. In the upper right corner, click on *Alert me* to register and receive a weekly digest of any product information that has changed. For change details, review the revision history included in any revised document.

#### 13.4 Community Resources

[TI E2E™ support forums](#) are an engineer's go-to source for fast, verified answers and design help — straight from the experts. Search existing answers or ask your own question to get the quick design help you need.

Linked content is provided "AS IS" by the respective contributors. They do not constitute TI specifications and do not necessarily reflect TI's views; see TI's [Terms of Use](#).

#### 13.5 Trademarks

LaunchPad, E2E are trademarks of Texas Instruments.  
All other trademarks are the property of their respective owners.

#### 13.6 Electrostatic Discharge Caution



This integrated circuit can be damaged by ESD. Texas Instruments recommends that all integrated circuits be handled with appropriate precautions. Failure to observe proper handling and installation procedures can cause damage.

ESD damage can range from subtle performance degradation to complete device failure. Precision integrated circuits may be more susceptible to damage because very small parametric changes could cause the device not to meet its published specifications.

#### 13.7 Glossary

[SLYZ022](#) — *TI Glossary*.

This glossary lists and explains terms, acronyms, and definitions.

## 14 Mechanical, Packaging, and Orderable Information

The following pages include mechanical packaging and orderable information. This information is the most current data available for the designated devices. This data is subject to change without notice and revision of this document. For browser-based versions of this data sheet, refer to the left-hand navigation.

**PACKAGING INFORMATION**

Orderable part number	Status (1)	Material type (2)	Package   Pins	Package qty   Carrier	RoHS (3)	Lead finish/ Ball material (4)	MSL rating/ Peak reflow (5)	Op temp (°C)	Part marking (6)
<a href="#">REF3312AIDBZR</a>	Active	Production	SOT-23 (DBZ)   3	3000   LARGE T&R	Yes	NIPDAU	Level-2-260C-1 YEAR	-40 to 125	R33A
REF3312AIDBZR.A	Active	Production	SOT-23 (DBZ)   3	3000   LARGE T&R	Yes	NIPDAU	Level-2-260C-1 YEAR	-40 to 125	R33A
<a href="#">REF3312AIDBZT</a>	Active	Production	SOT-23 (DBZ)   3	250   SMALL T&R	Yes	NIPDAU	Level-2-260C-1 YEAR	-40 to 125	R33A
REF3312AIDBZT.A	Active	Production	SOT-23 (DBZ)   3	250   SMALL T&R	Yes	NIPDAU	Level-2-260C-1 YEAR	-40 to 125	R33A
REF3312AIDBZT1G4	Active	Production	SOT-23 (DBZ)   3	250   SMALL T&R	Yes	NIPDAU	Level-2-260C-1 YEAR	-40 to 125	R33A
REF3312AIDBZT1G4.A	Active	Production	SOT-23 (DBZ)   3	250   SMALL T&R	Yes	NIPDAU	Level-2-260C-1 YEAR	-40 to 125	R33A
<a href="#">REF3312AIDCKR</a>	Active	Production	SC70 (DCK)   3	3000   LARGE T&R	Yes	NIPDAU	Level-2-260C-1 YEAR	-40 to 125	R12
REF3312AIDCKR.A	Active	Production	SC70 (DCK)   3	3000   LARGE T&R	Yes	NIPDAU	Level-2-260C-1 YEAR	-40 to 125	R12
REF3312AIDCKR1G4	Active	Production	SC70 (DCK)   3	3000   LARGE T&R	Yes	NIPDAU	Level-2-260C-1 YEAR	-40 to 125	R12
REF3312AIDCKR1G4.A	Active	Production	SC70 (DCK)   3	3000   LARGE T&R	Yes	NIPDAU	Level-2-260C-1 YEAR	-40 to 125	R12
<a href="#">REF3312AIDCKT</a>	Active	Production	SC70 (DCK)   3	250   SMALL T&R	Yes	NIPDAU	Level-2-260C-1 YEAR	-40 to 125	R12
REF3312AIDCKT.A	Active	Production	SC70 (DCK)   3	250   SMALL T&R	Yes	NIPDAU	Level-2-260C-1 YEAR	-40 to 125	R12
<a href="#">REF3312AIRSER</a>	Active	Production	UQFN (RSE)   8	5000   LARGE T&R	Yes	NIPDAU	Level-1-260C-UNLIM	-40 to 125	5G
REF3312AIRSER.A	Active	Production	UQFN (RSE)   8	5000   LARGE T&R	Yes	NIPDAU	Level-1-260C-UNLIM	-40 to 125	5G
REF3312AIRSERG4	Active	Production	UQFN (RSE)   8	5000   LARGE T&R	Yes	NIPDAU	Level-1-260C-UNLIM	-40 to 125	5G
REF3312AIRSERG4.A	Active	Production	UQFN (RSE)   8	5000   LARGE T&R	Yes	NIPDAU	Level-1-260C-UNLIM	-40 to 125	5G
<a href="#">REF3312AIRSET</a>	Active	Production	UQFN (RSE)   8	250   SMALL T&R	Yes	NIPDAU	Level-1-260C-UNLIM	-40 to 125	5G
REF3312AIRSET.A	Active	Production	UQFN (RSE)   8	250   SMALL T&R	Yes	NIPDAU	Level-1-260C-UNLIM	-40 to 125	5G
<a href="#">REF3318AIDBZR</a>	Active	Production	SOT-23 (DBZ)   3	3000   LARGE T&R	Yes	NIPDAU	Level-2-260C-1 YEAR	-40 to 125	R33B
REF3318AIDBZR.A	Active	Production	SOT-23 (DBZ)   3	3000   LARGE T&R	Yes	NIPDAU	Level-2-260C-1 YEAR	-40 to 125	R33B
<a href="#">REF3318AIDBZT</a>	Active	Production	SOT-23 (DBZ)   3	250   SMALL T&R	Yes	NIPDAU	Level-2-260C-1 YEAR	-40 to 125	R33B
REF3318AIDBZT.A	Active	Production	SOT-23 (DBZ)   3	250   SMALL T&R	Yes	NIPDAU	Level-2-260C-1 YEAR	-40 to 125	R33B
<a href="#">REF3318AIDBZTG4</a>	Active	Production	SOT-23 (DBZ)   3	250   SMALL T&R	Yes	NIPDAU	Level-2-260C-1 YEAR	-40 to 125	R33B
REF3318AIDBZTG4.A	Active	Production	SOT-23 (DBZ)   3	250   SMALL T&R	Yes	NIPDAU	Level-2-260C-1 YEAR	-40 to 125	R33B
<a href="#">REF3318AIDCKR</a>	Active	Production	SC70 (DCK)   3	3000   LARGE T&R	Yes	NIPDAU	Level-2-260C-1 YEAR	-40 to 125	R18
REF3318AIDCKR.A	Active	Production	SC70 (DCK)   3	3000   LARGE T&R	Yes	NIPDAU	Level-2-260C-1 YEAR	-40 to 125	R18
REF3318AIDCKRG4	Active	Production	SC70 (DCK)   3	3000   LARGE T&R	Yes	NIPDAU	Level-2-260C-1 YEAR	-40 to 125	R18
REF3318AIDCKRG4.A	Active	Production	SC70 (DCK)   3	3000   LARGE T&R	Yes	NIPDAU	Level-2-260C-1 YEAR	-40 to 125	R18
<a href="#">REF3318AIDCKT</a>	Active	Production	SC70 (DCK)   3	250   SMALL T&R	Yes	NIPDAU	Level-2-260C-1 YEAR	-40 to 125	R18

Orderable part number	Status (1)	Material type (2)	Package   Pins	Package qty   Carrier	RoHS (3)	Lead finish/ Ball material (4)	MSL rating/ Peak reflow (5)	Op temp (°C)	Part marking (6)
REF3318AIDCKT.A	Active	Production	SC70 (DCK)   3	250   SMALL T&R	Yes	NIPDAU	Level-2-260C-1 YEAR	-40 to 125	R18
<a href="#">REF3320AIDBZR</a>	Active	Production	SOT-23 (DBZ)   3	3000   LARGE T&R	Yes	NIPDAU	Level-2-260C-1 YEAR	-40 to 125	R33C
REF3320AIDBZR.A	Active	Production	SOT-23 (DBZ)   3	3000   LARGE T&R	Yes	NIPDAU	Level-2-260C-1 YEAR	-40 to 125	R33C
<a href="#">REF3320AIDBZT</a>	Active	Production	SOT-23 (DBZ)   3	250   SMALL T&R	Yes	NIPDAU	Level-2-260C-1 YEAR	-40 to 125	R33C
REF3320AIDBZT.A	Active	Production	SOT-23 (DBZ)   3	250   SMALL T&R	Yes	NIPDAU	Level-2-260C-1 YEAR	-40 to 125	R33C
REF3320AIDBZT1G4	Active	Production	SOT-23 (DBZ)   3	250   SMALL T&R	Yes	NIPDAU	Level-2-260C-1 YEAR	-40 to 125	R33C
REF3320AIDBZT1G4.A	Active	Production	SOT-23 (DBZ)   3	250   SMALL T&R	Yes	NIPDAU	Level-2-260C-1 YEAR	-40 to 125	R33C
<a href="#">REF3320AIDCKR</a>	Active	Production	SC70 (DCK)   3	3000   LARGE T&R	Yes	NIPDAU	Level-2-260C-1 YEAR	-40 to 125	R20
REF3320AIDCKR.A	Active	Production	SC70 (DCK)   3	3000   LARGE T&R	Yes	NIPDAU	Level-2-260C-1 YEAR	-40 to 125	R20
REF3320AIDCKRG4	Active	Production	SC70 (DCK)   3	3000   LARGE T&R	Yes	NIPDAU	Level-2-260C-1 YEAR	-40 to 125	R20
REF3320AIDCKRG4.A	Active	Production	SC70 (DCK)   3	3000   LARGE T&R	Yes	NIPDAU	Level-2-260C-1 YEAR	-40 to 125	R20
<a href="#">REF3320AIDCKT</a>	Active	Production	SC70 (DCK)   3	250   SMALL T&R	Yes	NIPDAU	Level-2-260C-1 YEAR	-40 to 125	R20
REF3320AIDCKT.A	Active	Production	SC70 (DCK)   3	250   SMALL T&R	Yes	NIPDAU	Level-2-260C-1 YEAR	-40 to 125	R20
<a href="#">REF3325AIDBZR</a>	Active	Production	SOT-23 (DBZ)   3	3000   LARGE T&R	Yes	NIPDAU	Level-2-260C-1 YEAR	-40 to 125	R33D
REF3325AIDBZR.A	Active	Production	SOT-23 (DBZ)   3	3000   LARGE T&R	Yes	NIPDAU	Level-2-260C-1 YEAR	-40 to 125	R33D
REF3325AIDBZR1G4	Active	Production	SOT-23 (DBZ)   3	3000   LARGE T&R	Yes	NIPDAU	Level-2-260C-1 YEAR	-40 to 125	R33D
REF3325AIDBZR1G4.A	Active	Production	SOT-23 (DBZ)   3	3000   LARGE T&R	Yes	NIPDAU	Level-2-260C-1 YEAR	-40 to 125	R33D
<a href="#">REF3325AIDBZT</a>	Active	Production	SOT-23 (DBZ)   3	250   SMALL T&R	Yes	NIPDAU	Level-2-260C-1 YEAR	-40 to 125	R33D
REF3325AIDBZT.A	Active	Production	SOT-23 (DBZ)   3	250   SMALL T&R	Yes	NIPDAU	Level-2-260C-1 YEAR	-40 to 125	R33D
<a href="#">REF3325AIDCKR</a>	Active	Production	SC70 (DCK)   3	3000   LARGE T&R	Yes	NIPDAU	Level-2-260C-1 YEAR	-40 to 125	R25
REF3325AIDCKR.A	Active	Production	SC70 (DCK)   3	3000   LARGE T&R	Yes	NIPDAU	Level-2-260C-1 YEAR	-40 to 125	R25
REF3325AIDCKR1G4	Active	Production	SC70 (DCK)   3	3000   LARGE T&R	Yes	NIPDAU	Level-2-260C-1 YEAR	-40 to 125	R25
REF3325AIDCKR1G4.A	Active	Production	SC70 (DCK)   3	3000   LARGE T&R	Yes	NIPDAU	Level-2-260C-1 YEAR	-40 to 125	R25
<a href="#">REF3325AIDCKT</a>	Active	Production	SC70 (DCK)   3	250   SMALL T&R	Yes	NIPDAU	Level-2-260C-1 YEAR	-40 to 125	R25
REF3325AIDCKT.A	Active	Production	SC70 (DCK)   3	250   SMALL T&R	Yes	NIPDAU	Level-2-260C-1 YEAR	-40 to 125	R25
<a href="#">REF3325AIRSER</a>	Active	Production	UQFN (RSE)   8	5000   LARGE T&R	Yes	NIPDAU	Level-1-260C-UNLIM	-40 to 125	GN
REF3325AIRSER.A	Active	Production	UQFN (RSE)   8	5000   LARGE T&R	Yes	NIPDAU	Level-1-260C-UNLIM	-40 to 125	GN
REF3325AIRSERG4	Active	Production	UQFN (RSE)   8	5000   LARGE T&R	Yes	NIPDAU	Level-1-260C-UNLIM	-40 to 125	GN
REF3325AIRSERG4.A	Active	Production	UQFN (RSE)   8	5000   LARGE T&R	Yes	NIPDAU	Level-1-260C-UNLIM	-40 to 125	GN
<a href="#">REF3330AIDBZR</a>	Active	Production	SOT-23 (DBZ)   3	3000   LARGE T&R	Yes	NIPDAU	Level-2-260C-1 YEAR	-40 to 125	R33E
REF3330AIDBZR.A	Active	Production	SOT-23 (DBZ)   3	3000   LARGE T&R	Yes	NIPDAU	Level-2-260C-1 YEAR	-40 to 125	R33E

Orderable part number	Status (1)	Material type (2)	Package   Pins	Package qty   Carrier	RoHS (3)	Lead finish/ Ball material (4)	MSL rating/ Peak reflow (5)	Op temp (°C)	Part marking (6)
<a href="#">REF3330AIDBZRG4</a>	Active	Production	SOT-23 (DBZ)   3	3000   LARGE T&R	Yes	NIPDAU	Level-2-260C-1 YEAR	-40 to 125	R33E
REF3330AIDBZRG4.A	Active	Production	SOT-23 (DBZ)   3	3000   LARGE T&R	Yes	NIPDAU	Level-2-260C-1 YEAR	-40 to 125	R33E
<a href="#">REF3330AIDBZT</a>	Active	Production	SOT-23 (DBZ)   3	250   SMALL T&R	Yes	NIPDAU	Level-2-260C-1 YEAR	-40 to 125	R33E
REF3330AIDBZT.A	Active	Production	SOT-23 (DBZ)   3	250   SMALL T&R	Yes	NIPDAU	Level-2-260C-1 YEAR	-40 to 125	R33E
<a href="#">REF3330AIDCKR</a>	Active	Production	SC70 (DCK)   3	3000   LARGE T&R	Yes	NIPDAU	Level-2-260C-1 YEAR	-40 to 125	R30
REF3330AIDCKR.A	Active	Production	SC70 (DCK)   3	3000   LARGE T&R	Yes	NIPDAU	Level-2-260C-1 YEAR	-40 to 125	R30
REF3330AIDCKR1G4	Active	Production	SC70 (DCK)   3	3000   LARGE T&R	Yes	NIPDAU	Level-2-260C-1 YEAR	-40 to 125	R30
REF3330AIDCKR1G4.A	Active	Production	SC70 (DCK)   3	3000   LARGE T&R	Yes	NIPDAU	Level-2-260C-1 YEAR	-40 to 125	R30
<a href="#">REF3330AIDCKT</a>	Active	Production	SC70 (DCK)   3	250   SMALL T&R	Yes	NIPDAU	Level-2-260C-1 YEAR	-40 to 125	R30
REF3330AIDCKT.A	Active	Production	SC70 (DCK)   3	250   SMALL T&R	Yes	NIPDAU	Level-2-260C-1 YEAR	-40 to 125	R30
<a href="#">REF3330AIRSER</a>	Active	Production	UQFN (RSE)   8	5000   LARGE T&R	Yes	NIPDAU	Level-1-260C-UNLIM	-40 to 125	EN
REF3330AIRSER.A	Active	Production	UQFN (RSE)   8	5000   LARGE T&R	Yes	NIPDAU	Level-1-260C-UNLIM	-40 to 125	EN
REF3330AIRSERG4	Active	Production	UQFN (RSE)   8	5000   LARGE T&R	Yes	NIPDAU	Level-1-260C-UNLIM	-40 to 125	EN
REF3330AIRSERG4.A	Active	Production	UQFN (RSE)   8	5000   LARGE T&R	Yes	NIPDAU	Level-1-260C-UNLIM	-40 to 125	EN
<a href="#">REF3333AIDBZR</a>	Active	Production	SOT-23 (DBZ)   3	3000   LARGE T&R	Yes	NIPDAU	Level-2-260C-1 YEAR	-40 to 125	R33F
REF3333AIDBZR.A	Active	Production	SOT-23 (DBZ)   3	3000   LARGE T&R	Yes	NIPDAU	Level-2-260C-1 YEAR	-40 to 125	R33F
<a href="#">REF3333AIDBZRG4</a>	Active	Production	SOT-23 (DBZ)   3	3000   LARGE T&R	Yes	NIPDAU	Level-2-260C-1 YEAR	-40 to 125	R33F
REF3333AIDBZRG4.A	Active	Production	SOT-23 (DBZ)   3	3000   LARGE T&R	Yes	NIPDAU	Level-2-260C-1 YEAR	-40 to 125	R33F
<a href="#">REF3333AIDBZT</a>	Active	Production	SOT-23 (DBZ)   3	250   SMALL T&R	Yes	NIPDAU	Level-2-260C-1 YEAR	-40 to 125	R33F
REF3333AIDBZT.A	Active	Production	SOT-23 (DBZ)   3	250   SMALL T&R	Yes	NIPDAU	Level-2-260C-1 YEAR	-40 to 125	R33F
<a href="#">REF3333AIDCKR</a>	Active	Production	SC70 (DCK)   3	3000   LARGE T&R	Yes	NIPDAU	Level-2-260C-1 YEAR	-40 to 125	R33
REF3333AIDCKR.A	Active	Production	SC70 (DCK)   3	3000   LARGE T&R	Yes	NIPDAU	Level-2-260C-1 YEAR	-40 to 125	R33
REF3333AIDCKRG4	Active	Production	SC70 (DCK)   3	3000   LARGE T&R	Yes	NIPDAU	Level-2-260C-1 YEAR	-40 to 125	R33
REF3333AIDCKRG4.A	Active	Production	SC70 (DCK)   3	3000   LARGE T&R	Yes	NIPDAU	Level-2-260C-1 YEAR	-40 to 125	R33
<a href="#">REF3333AIDCKT</a>	Active	Production	SC70 (DCK)   3	250   SMALL T&R	Yes	NIPDAU	Level-2-260C-1 YEAR	-40 to 125	R33
REF3333AIDCKT.A	Active	Production	SC70 (DCK)   3	250   SMALL T&R	Yes	NIPDAU	Level-2-260C-1 YEAR	-40 to 125	R33

(1) **Status:** For more details on status, see our [product life cycle](#).

(2) **Material type:** When designated, preproduction parts are prototypes/experimental devices, and are not yet approved or released for full production. Testing and final process, including without limitation quality assurance, reliability performance testing, and/or process qualification, may not yet be complete, and this item is subject to further changes or possible discontinuation. If available for ordering, purchases will be subject to an additional waiver at checkout, and are intended for early internal evaluation purposes only. These items are sold without warranties of any kind.



(3) **RoHS values:** Yes, No, RoHS Exempt. See the [TI RoHS Statement](#) for additional information and value definition.

(4) **Lead finish/Ball material:** Parts may have multiple material finish options. Finish options are separated by a vertical ruled line. Lead finish/Ball material values may wrap to two lines if the finish value exceeds the maximum column width.

(5) **MSL rating/Peak reflow:** The moisture sensitivity level ratings and peak solder (reflow) temperatures. In the event that a part has multiple moisture sensitivity ratings, only the lowest level per JEDEC standards is shown. Refer to the shipping label for the actual reflow temperature that will be used to mount the part to the printed circuit board.

(6) **Part marking:** There may be an additional marking, which relates to the logo, the lot trace code information, or the environmental category of the part.

Multiple part markings will be inside parentheses. Only one part marking contained in parentheses and separated by a "~" will appear on a part. If a line is indented then it is a continuation of the previous line and the two combined represent the entire part marking for that device.

**Important Information and Disclaimer:**The information provided on this page represents TI's knowledge and belief as of the date that it is provided. TI bases its knowledge and belief on information provided by third parties, and makes no representation or warranty as to the accuracy of such information. Efforts are underway to better integrate information from third parties. TI has taken and continues to take reasonable steps to provide representative and accurate information but may not have conducted destructive testing or chemical analysis on incoming materials and chemicals. TI and TI suppliers consider certain information to be proprietary, and thus CAS numbers and other limited information may not be available for release.

In no event shall TI's liability arising out of such information exceed the total purchase price of the TI part(s) at issue in this document sold by TI to Customer on an annual basis.

**TAPE AND REEL INFORMATION**

**QUADRANT ASSIGNMENTS FOR PIN 1 ORIENTATION IN TAPE**


\*All dimensions are nominal

Device	Package Type	Package Drawing	Pins	SPQ	Reel Diameter (mm)	Reel Width W1 (mm)	A0 (mm)	B0 (mm)	K0 (mm)	P1 (mm)	W (mm)	Pin1 Quadrant
REF3312AIDBZR	SOT-23	DBZ	3	3000	179.0	8.4	3.15	2.95	1.22	4.0	8.0	Q3
REF3312AIDBZT	SOT-23	DBZ	3	250	179.0	8.4	3.15	2.95	1.22	4.0	8.0	Q3
REF3312AIDBZT1G4	SOT-23	DBZ	3	250	179.0	8.4	3.15	2.95	1.22	4.0	8.0	Q3
REF3312AIDCKR	SC70	DCK	3	3000	179.0	8.4	2.4	2.4	1.19	4.0	8.0	Q3
REF3312AIDCKR1G4	SC70	DCK	3	3000	179.0	8.4	2.4	2.4	1.19	4.0	8.0	Q3
REF3312AIDCKT	SC70	DCK	3	250	179.0	8.4	2.4	2.4	1.19	4.0	8.0	Q3
REF3312AIRSER	UQFN	RSE	8	5000	180.0	9.5	1.7	1.7	0.75	4.0	8.0	Q2
REF3312AIRSERG4	UQFN	RSE	8	5000	180.0	9.5	1.7	1.7	0.75	4.0	8.0	Q2
REF3312AIRSET	UQFN	RSE	8	250	180.0	9.5	1.7	1.7	0.75	4.0	8.0	Q2
REF3318AIDBZR	SOT-23	DBZ	3	3000	179.0	8.4	3.15	2.95	1.22	4.0	8.0	Q3
REF3318AIDBZT	SOT-23	DBZ	3	250	179.0	8.4	3.15	2.95	1.22	4.0	8.0	Q3
REF3318AIDBZTG4	SOT-23	DBZ	3	250	179.0	8.4	3.15	2.95	1.22	4.0	8.0	Q3
REF3318AIDCKR	SC70	DCK	3	3000	179.0	8.4	2.4	2.4	1.19	4.0	8.0	Q3
REF3318AIDCKRG4	SC70	DCK	3	3000	179.0	8.4	2.4	2.4	1.19	4.0	8.0	Q3
REF3318AIDCKT	SC70	DCK	3	250	179.0	8.4	2.4	2.4	1.19	4.0	8.0	Q3
REF3320AIDBZR	SOT-23	DBZ	3	3000	179.0	8.4	3.15	2.95	1.22	4.0	8.0	Q3

Device	Package Type	Package Drawing	Pins	SPQ	Reel Diameter (mm)	Reel Width W1 (mm)	A0 (mm)	B0 (mm)	K0 (mm)	P1 (mm)	W (mm)	Pin1 Quadrant
REF3320AIDBZT	SOT-23	DBZ	3	250	179.0	8.4	3.15	2.95	1.22	4.0	8.0	Q3
REF3320AIDBZT1G4	SOT-23	DBZ	3	250	179.0	8.4	3.15	2.95	1.22	4.0	8.0	Q3
REF3320AIDCKR	SC70	DCK	3	3000	179.0	8.4	2.4	2.4	1.19	4.0	8.0	Q3
REF3320AIDCKRG4	SC70	DCK	3	3000	179.0	8.4	2.4	2.4	1.19	4.0	8.0	Q3
REF3320AIDCKT	SC70	DCK	3	250	179.0	8.4	2.4	2.4	1.19	4.0	8.0	Q3
REF3325AIDBZR	SOT-23	DBZ	3	3000	179.0	8.4	3.15	2.95	1.22	4.0	8.0	Q3
REF3325AIDBZR1G4	SOT-23	DBZ	3	3000	179.0	8.4	3.15	2.95	1.22	4.0	8.0	Q3
REF3325AIDBZT	SOT-23	DBZ	3	250	179.0	8.4	3.15	2.95	1.22	4.0	8.0	Q3
REF3325AIDCKR	SC70	DCK	3	3000	179.0	8.4	2.4	2.4	1.19	4.0	8.0	Q3
REF3325AIDCKR1G4	SC70	DCK	3	3000	179.0	8.4	2.4	2.4	1.19	4.0	8.0	Q3
REF3325AIDCKT	SC70	DCK	3	250	179.0	8.4	2.4	2.4	1.19	4.0	8.0	Q3
REF3325AIRSER	UQFN	RSE	8	5000	180.0	9.5	1.7	1.7	0.75	4.0	8.0	Q2
REF3325AIRSERG4	UQFN	RSE	8	5000	180.0	9.5	1.7	1.7	0.75	4.0	8.0	Q2
REF3330AIDBZR	SOT-23	DBZ	3	3000	179.0	8.4	3.15	2.95	1.22	4.0	8.0	Q3
REF3330AIDBZRG4	SOT-23	DBZ	3	3000	179.0	8.4	3.15	2.95	1.22	4.0	8.0	Q3
REF3330AIDBZT	SOT-23	DBZ	3	250	179.0	8.4	3.15	2.95	1.22	4.0	8.0	Q3
REF3330AIDCKR	SC70	DCK	3	3000	179.0	8.4	2.4	2.4	1.19	4.0	8.0	Q3
REF3330AIDCKR1G4	SC70	DCK	3	3000	179.0	8.4	2.4	2.4	1.19	4.0	8.0	Q3
REF3330AIDCKT	SC70	DCK	3	250	179.0	8.4	2.4	2.4	1.19	4.0	8.0	Q3
REF3330AIRSER	UQFN	RSE	8	5000	180.0	9.5	1.7	1.7	0.75	4.0	8.0	Q2
REF3330AIRSERG4	UQFN	RSE	8	5000	180.0	9.5	1.7	1.7	0.75	4.0	8.0	Q2
REF3333AIDBZR	SOT-23	DBZ	3	3000	179.0	8.4	3.15	2.95	1.22	4.0	8.0	Q3
REF3333AIDBZRG4	SOT-23	DBZ	3	3000	179.0	8.4	3.15	2.95	1.22	4.0	8.0	Q3
REF3333AIDBZT	SOT-23	DBZ	3	250	179.0	8.4	3.15	2.95	1.22	4.0	8.0	Q3
REF3333AIDCKR	SC70	DCK	3	3000	179.0	8.4	2.4	2.4	1.19	4.0	8.0	Q3
REF3333AIDCKRG4	SC70	DCK	3	3000	179.0	8.4	2.4	2.4	1.19	4.0	8.0	Q3
REF3333AIDCKT	SC70	DCK	3	250	179.0	8.4	2.4	2.4	1.19	4.0	8.0	Q3

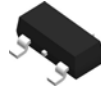
**TAPE AND REEL BOX DIMENSIONS**


\*All dimensions are nominal

Device	Package Type	Package Drawing	Pins	SPQ	Length (mm)	Width (mm)	Height (mm)
REF3312AIDBZR	SOT-23	DBZ	3	3000	213.0	191.0	35.0
REF3312AIDBZT	SOT-23	DBZ	3	250	213.0	191.0	35.0
REF3312AIDBZT1G4	SOT-23	DBZ	3	250	213.0	191.0	35.0
REF3312AIDCKR	SC70	DCK	3	3000	213.0	191.0	35.0
REF3312AIDCKR1G4	SC70	DCK	3	3000	213.0	191.0	35.0
REF3312AIDCKT	SC70	DCK	3	250	213.0	191.0	35.0
REF3312AIRSER	UQFN	RSE	8	5000	184.0	184.0	19.0
REF3312AIRSERG4	UQFN	RSE	8	5000	184.0	184.0	19.0
REF3312AIRSET	UQFN	RSE	8	250	184.0	184.0	19.0
REF3318AIDBZR	SOT-23	DBZ	3	3000	213.0	191.0	35.0
REF3318AIDBZT	SOT-23	DBZ	3	250	213.0	191.0	35.0
REF3318AIDBZTG4	SOT-23	DBZ	3	250	213.0	191.0	35.0
REF3318AIDCKR	SC70	DCK	3	3000	213.0	191.0	35.0
REF3318AIDCKRG4	SC70	DCK	3	3000	213.0	191.0	35.0
REF3318AIDCKT	SC70	DCK	3	250	213.0	191.0	35.0
REF3320AIDBZR	SOT-23	DBZ	3	3000	213.0	191.0	35.0
REF3320AIDBZT	SOT-23	DBZ	3	250	213.0	191.0	35.0
REF3320AIDBZT1G4	SOT-23	DBZ	3	250	213.0	191.0	35.0

Device	Package Type	Package Drawing	Pins	SPQ	Length (mm)	Width (mm)	Height (mm)
REF3320AIDCKR	SC70	DCK	3	3000	213.0	191.0	35.0
REF3320AIDCKRG4	SC70	DCK	3	3000	213.0	191.0	35.0
REF3320AIDCKT	SC70	DCK	3	250	213.0	191.0	35.0
REF3325AIDBZR	SOT-23	DBZ	3	3000	213.0	191.0	35.0
REF3325AIDBZR1G4	SOT-23	DBZ	3	3000	213.0	191.0	35.0
REF3325AIDBZT	SOT-23	DBZ	3	250	213.0	191.0	35.0
REF3325AIDCKR	SC70	DCK	3	3000	213.0	191.0	35.0
REF3325AIDCKR1G4	SC70	DCK	3	3000	213.0	191.0	35.0
REF3325AIDCKT	SC70	DCK	3	250	213.0	191.0	35.0
REF3325AIRSER	UQFN	RSE	8	5000	184.0	184.0	19.0
REF3325AIRSERG4	UQFN	RSE	8	5000	184.0	184.0	19.0
REF3330AIDBZR	SOT-23	DBZ	3	3000	213.0	191.0	35.0
REF3330AIDBZRG4	SOT-23	DBZ	3	3000	213.0	191.0	35.0
REF3330AIDBZT	SOT-23	DBZ	3	250	213.0	191.0	35.0
REF3330AIDCKR	SC70	DCK	3	3000	213.0	191.0	35.0
REF3330AIDCKR1G4	SC70	DCK	3	3000	213.0	191.0	35.0
REF3330AIDCKT	SC70	DCK	3	250	213.0	191.0	35.0
REF3330AIRSER	UQFN	RSE	8	5000	184.0	184.0	19.0
REF3330AIRSERG4	UQFN	RSE	8	5000	184.0	184.0	19.0
REF3333AIDBZR	SOT-23	DBZ	3	3000	213.0	191.0	35.0
REF3333AIDBZRG4	SOT-23	DBZ	3	3000	213.0	191.0	35.0
REF3333AIDBZT	SOT-23	DBZ	3	250	213.0	191.0	35.0
REF3333AIDCKR	SC70	DCK	3	3000	213.0	191.0	35.0
REF3333AIDCKRG4	SC70	DCK	3	3000	213.0	191.0	35.0
REF3333AIDCKT	SC70	DCK	3	250	213.0	191.0	35.0

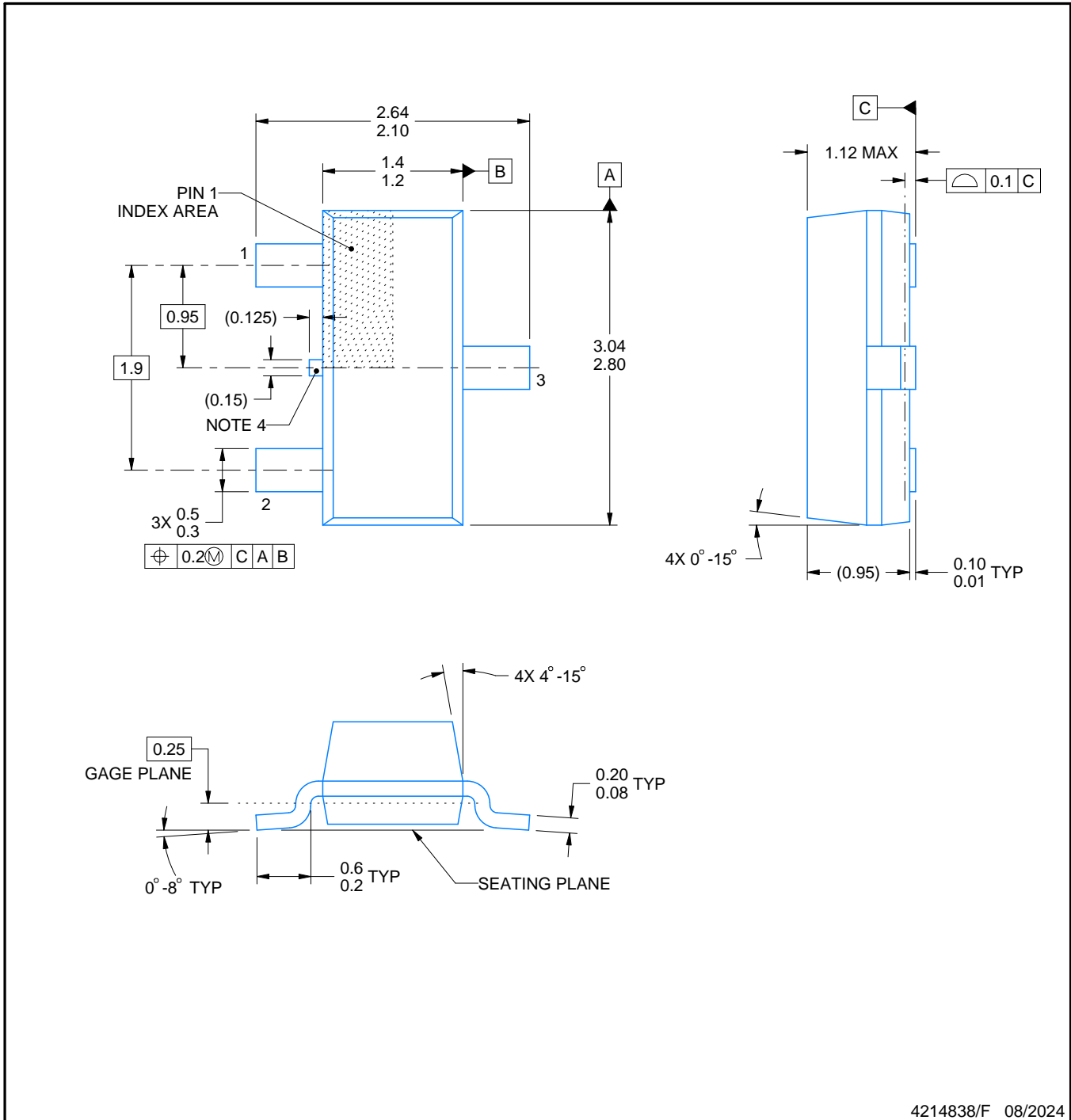
DBZ0003A



PACKAGE OUTLINE

SOT-23 - 1.12 mm max height

SMALL OUTLINE TRANSISTOR



4214838/F 08/2024

NOTES:

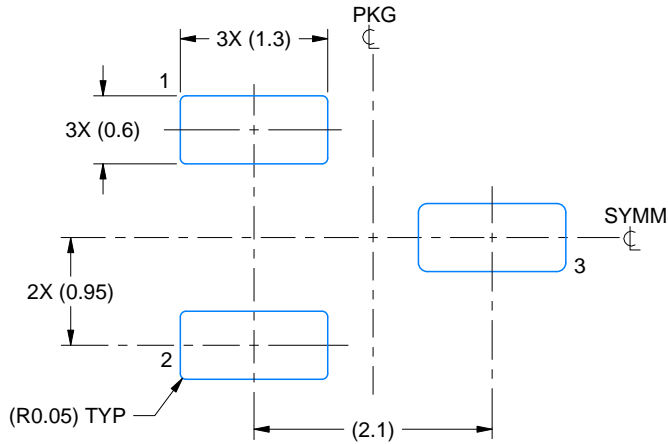
1. All linear dimensions are in millimeters. Any dimensions in parenthesis are for reference only. Dimensioning and tolerancing per ASME Y14.5M.
2. This drawing is subject to change without notice.
3. Reference JEDEC registration TO-236, except minimum foot length.
4. Support pin may differ or may not be present.
5. Body dimensions do not include mold flash, protrusions, or gate burrs. Mold flash, protrusions, or gate burrs shall not exceed 0.25mm per side

# EXAMPLE BOARD LAYOUT

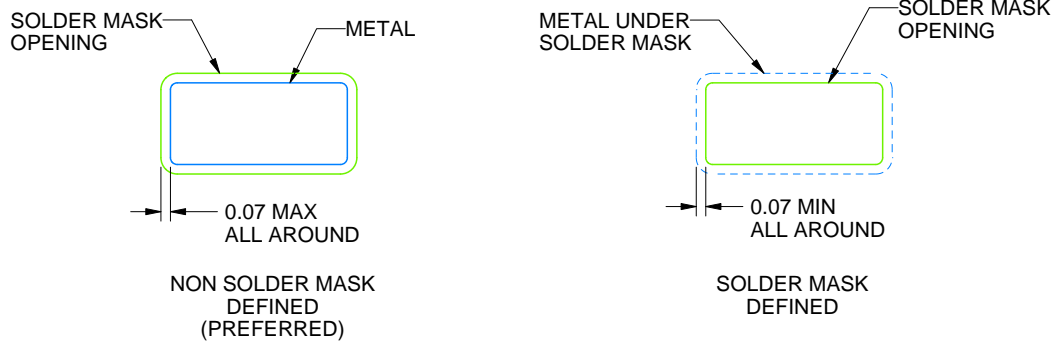
DBZ0003A

SOT-23 - 1.12 mm max height

SMALL OUTLINE TRANSISTOR



LAND PATTERN EXAMPLE  
SCALE:15X



SOLDER MASK DETAILS

4214838/F 08/2024

NOTES: (continued)

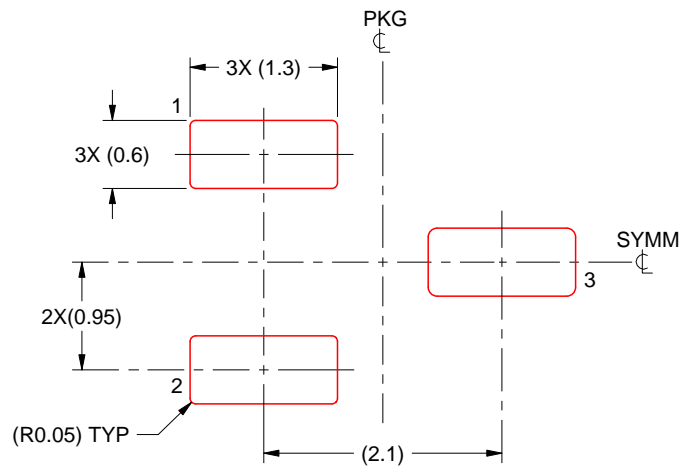
- 5. Publication IPC-7351 may have alternate designs.
- 6. Solder mask tolerances between and around signal pads can vary based on board fabrication site.

# EXAMPLE STENCIL DESIGN

DBZ0003A

SOT-23 - 1.12 mm max height

SMALL OUTLINE TRANSISTOR



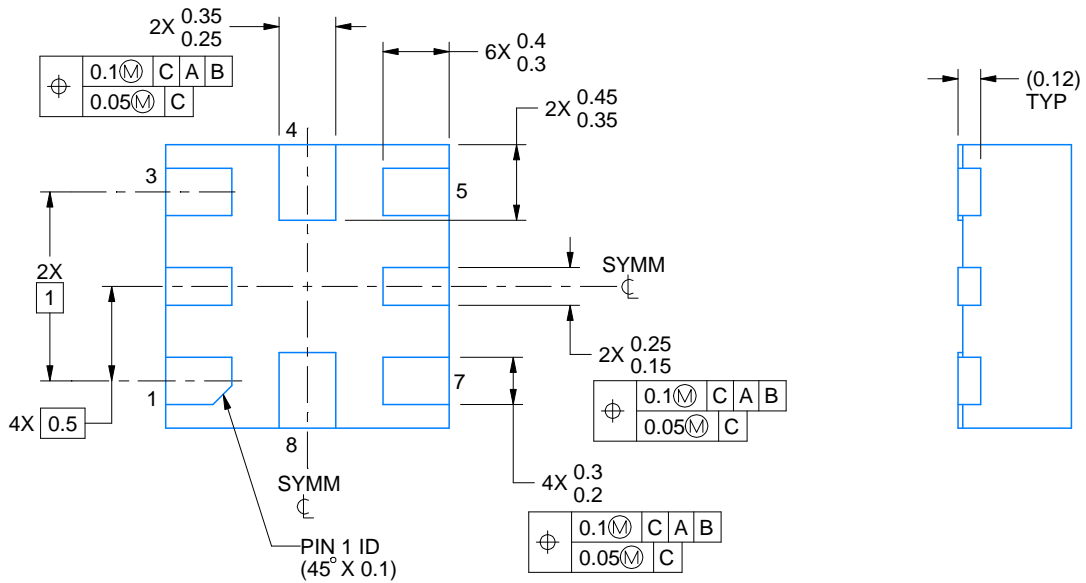
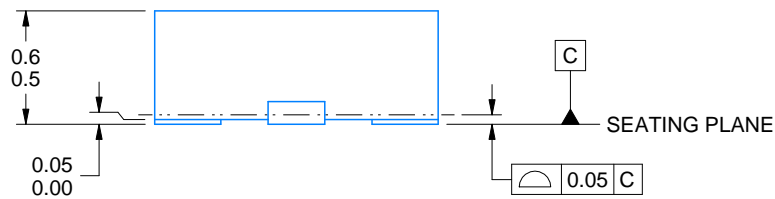
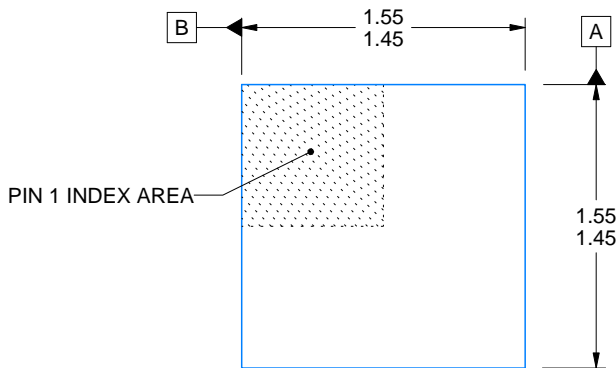
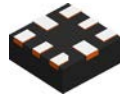
SOLDER PASTE EXAMPLE  
BASED ON 0.125 THICK STENCIL  
SCALE:15X

4214838/F 08/2024

NOTES: (continued)

7. Laser cutting apertures with trapezoidal walls and rounded corners may offer better paste release. IPC-7525 may have alternate design recommendations.
8. Board assembly site may have different recommendations for stencil design.





4220323/B 03/2018

NOTES:

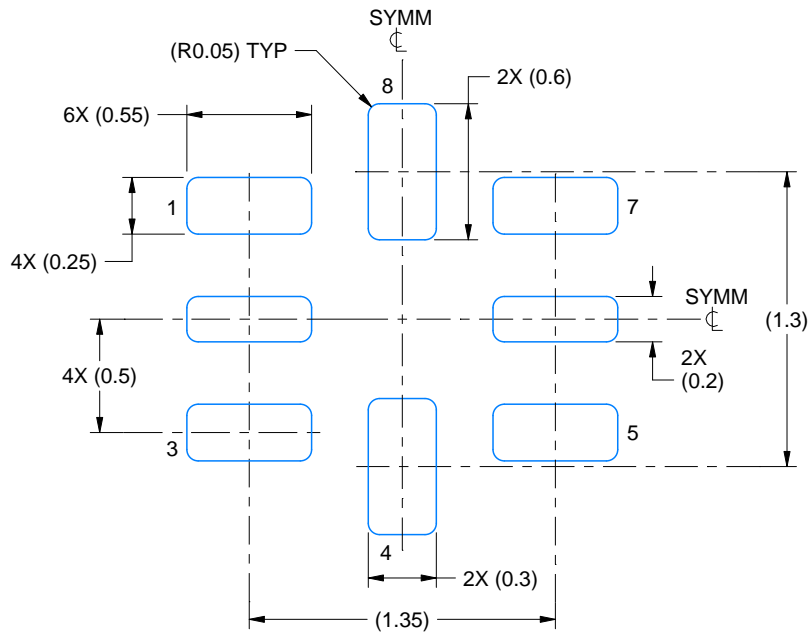
1. All linear dimensions are in millimeters. Any dimensions in parenthesis are for reference only. Dimensioning and tolerancing per ASME Y14.5M.
2. This drawing is subject to change without notice.

# EXAMPLE BOARD LAYOUT

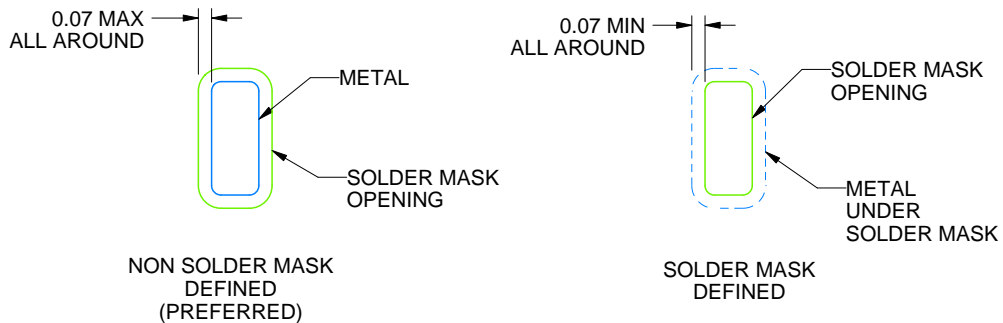
RSE0008A

UQFN - 0.6 mm max height

PLASTIC QUAD FLATPACK - NO LEAD



LAND PATTERN EXAMPLE  
SCALE:30X



SOLDER MASK DETAILS  
NOT TO SCALE

4220323/B 03/2018

NOTES: (continued)

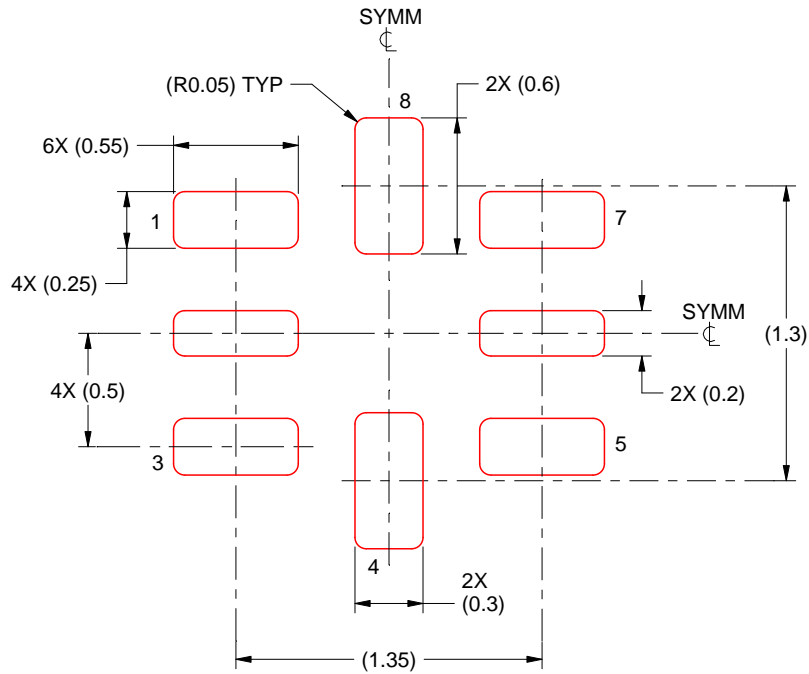
3. For more information, see Texas Instruments literature number SLUA271 ([www.ti.com/lit/slua271](http://www.ti.com/lit/slua271)).

# EXAMPLE STENCIL DESIGN

RSE0008A

UQFN - 0.6 mm max height

PLASTIC QUAD FLATPACK - NO LEAD



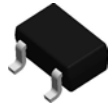
SOLDER PASTE EXAMPLE  
BASED ON 0.1 mm THICKNESS  
SCALE: 30X

4220323/B 03/2018

NOTES: (continued)

5. Laser cutting apertures with trapezoidal walls and rounded corners may offer better paste release. IPC-7525 may have alternate design recommendations.

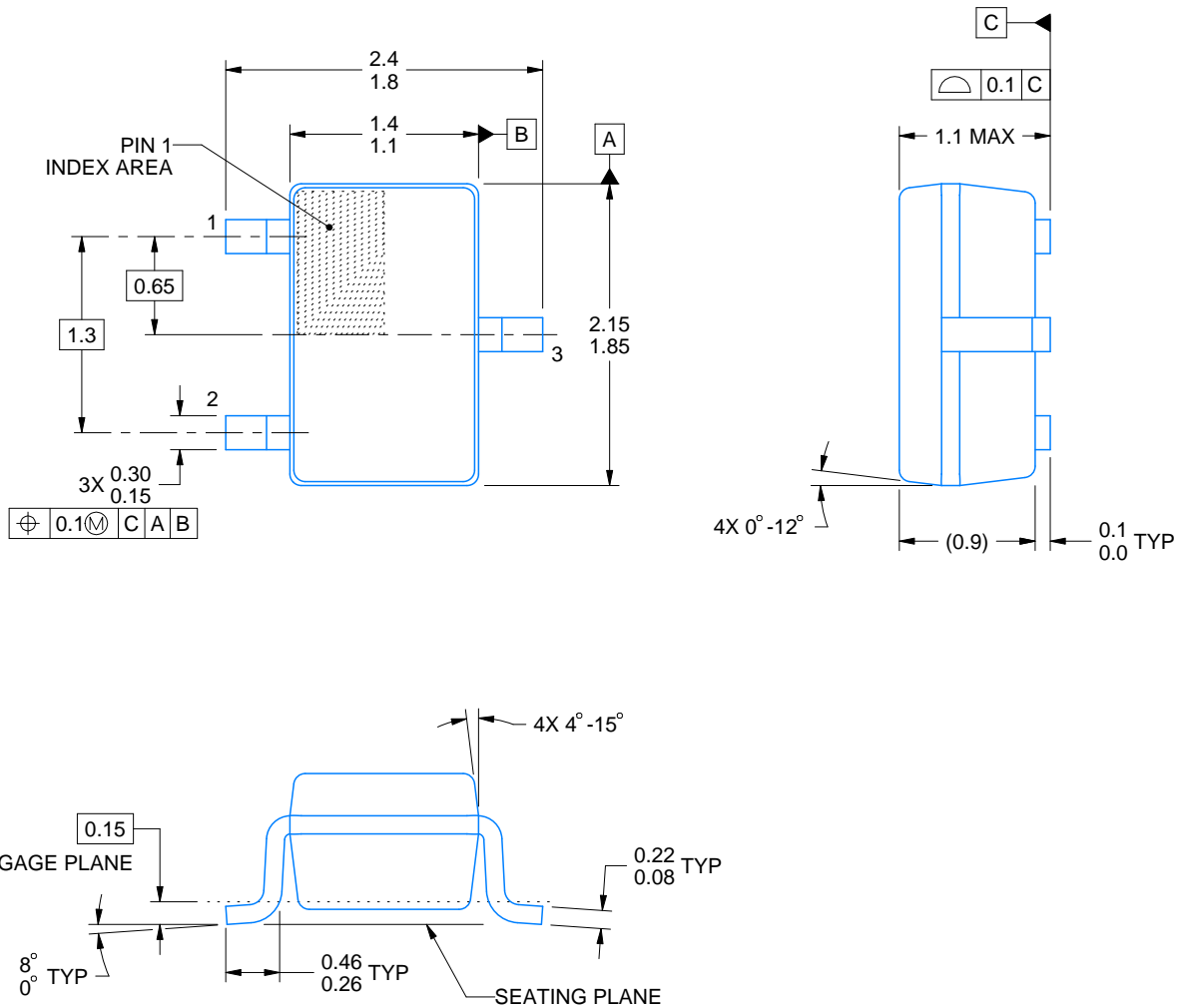
DCK0003A



# PACKAGE OUTLINE

SOT-SC70 - 1.1 max height

SMALL OUTLINE TRANSISTOR SC70



4220745/F 11/2024

## NOTES:

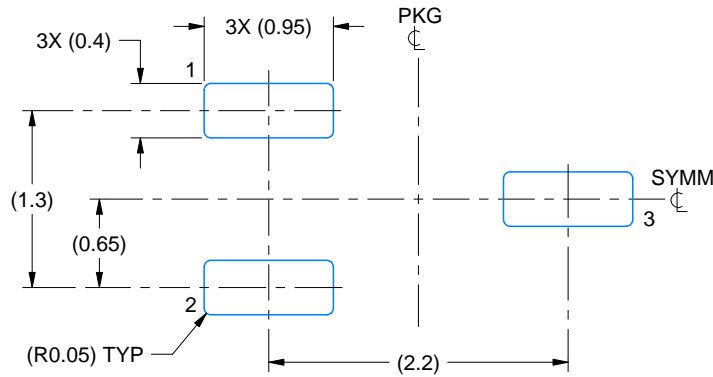
1. All linear dimensions are in millimeters. Any dimensions in parenthesis are for reference only. Dimensioning and tolerancing per ASME Y14.5M.
2. This drawing is subject to change without notice.
3. Body dimensions do not include mold flash, protrusions, or gate burrs. Mold flash, protrusions, or gate burrs shall not exceed 0.25mm per side

# EXAMPLE BOARD LAYOUT

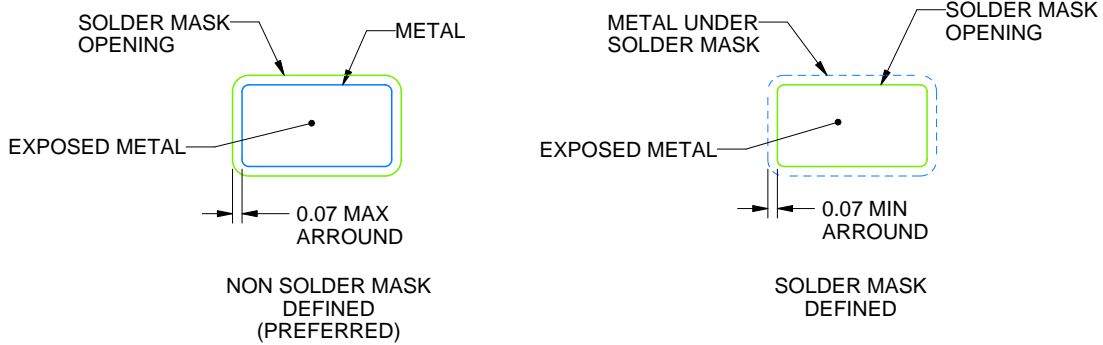
DCK0003A

SOT-SC70 - 1.1 max height

SMALL OUTLINE TRANSISTOR SC70



LAND PATTERN EXAMPLE  
EXPOSED METAL SHOWN  
SCALE:18X



SOLDER MASK DETAILS

4220745/F 11/2024

NOTES: (continued)

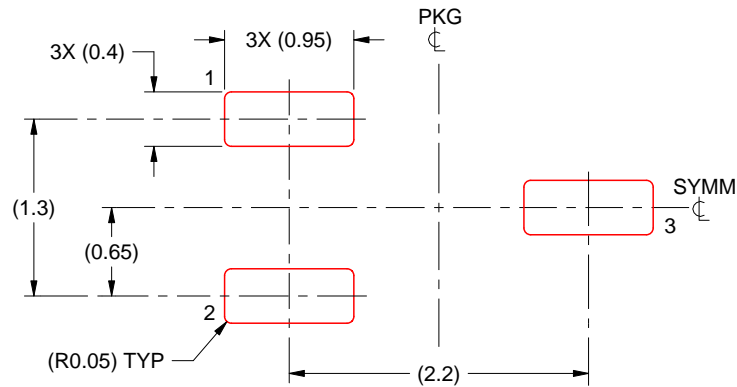
- 4. Publication IPC-7351 may have alternate designs.
- 5. Solder mask tolerances between and around signal pads can vary based on board fabrication site.

# EXAMPLE STENCIL DESIGN

DCK0003A

SOT-SC70 - 1.1 max height

SMALL OUTLINE TRANSISTOR SC70



SOLDER PASTE EXAMPLE  
BASED ON 0.125 THICK STENCIL  
SCALE:18X

4220745/F 11/2024

NOTES: (continued)

6. Laser cutting apertures with trapezoidal walls and rounded corners may offer better paste release. IPC-7525 may have alternate design recommendations.
7. Board assembly site may have different recommendations for stencil design.

## IMPORTANT NOTICE AND DISCLAIMER

TI PROVIDES TECHNICAL AND RELIABILITY DATA (INCLUDING DATA SHEETS), DESIGN RESOURCES (INCLUDING REFERENCE DESIGNS), APPLICATION OR OTHER DESIGN ADVICE, WEB TOOLS, SAFETY INFORMATION, AND OTHER RESOURCES "AS IS" AND WITH ALL FAULTS, AND DISCLAIMS ALL WARRANTIES, EXPRESS AND IMPLIED, INCLUDING WITHOUT LIMITATION ANY IMPLIED WARRANTIES OF MERCHANTABILITY, FITNESS FOR A PARTICULAR PURPOSE OR NON-INFRINGEMENT OF THIRD PARTY INTELLECTUAL PROPERTY RIGHTS.

These resources are intended for skilled developers designing with TI products. You are solely responsible for (1) selecting the appropriate TI products for your application, (2) designing, validating and testing your application, and (3) ensuring your application meets applicable standards, and any other safety, security, regulatory or other requirements.

These resources are subject to change without notice. TI grants you permission to use these resources only for development of an application that uses the TI products described in the resource. Other reproduction and display of these resources is prohibited. No license is granted to any other TI intellectual property right or to any third party intellectual property right. TI disclaims responsibility for, and you will fully indemnify TI and its representatives against, any claims, damages, costs, losses, and liabilities arising out of your use of these resources.

TI's products are provided subject to [TI's Terms of Sale](#) or other applicable terms available either on [ti.com](https://www.ti.com) or provided in conjunction with such TI products. TI's provision of these resources does not expand or otherwise alter TI's applicable warranties or warranty disclaimers for TI products.

TI objects to and rejects any additional or different terms you may have proposed.

Mailing Address: Texas Instruments, Post Office Box 655303, Dallas, Texas 75265

Copyright © 2025, Texas Instruments Incorporated